

GS-2011 (Physics)

TATA INSTITUTE OF FUNDAMENTAL RESEARCHWritten Test in **PHYSICS****December 12, 2010**

Duration : Three hours (3 hours)

Please read all instructions carefully before you attempt the questions.

1. Please fill-in details about name, reference code etc. on the answer sheet. The Answer Sheet is machine-readable. Read the instructions given on the reverse of the answer sheet before you start filling it up. Use only HB pencils to fill-in the answer sheet.
2. Indicate your ANSWER ON THE ANSWER SHEET by blackening the appropriate circle for each question. Do not mark more than one circle for any question : this will be treated as a wrong answer.
3. This test comes in two sections, **Section A** and **Section B**, both of which contain multiple choice-type questions. Only ONE of the options given at the end of each question is correct. Section A contains 20 questions, each with 4 options, and Section B contains 8 questions, each with 6 options. The maximum marks are 60 for Section A plus 40 for Section B, totalling to 100. Marking shall be as follows :
 - (i) If the answer is **correct** : +3 marks in Section A; +5 marks in Section B
 - (ii) If the answer is **incorrect** : -1 mark in both Section A & B
 - (iii) If the answer is **not attempted** : 0 marks in both Section A & B
 - (iv) If **more than one box is marked** : 0 marks in both Section A & B*Guesswork and marking of random choices may lead to reduced scores in the test.*
4. As a rough guideline, the time spent on questions in Section A should be about 5 minutes each; questions in Section B should take about 10 minutes each. Obviously, some questions may take a little less time while others may require a little more.
5. We advise you to first mark the correct answers on the QUESTION PAPER and then to TRANSFER these to the ANSWER SHEET only when you are sure of your choice.
6. Rough work may be done on blank pages of the question paper. If needed, you may ask for extra rough sheets from an Invigilator.
7. Use of calculators is permitted. Calculator which plots graphs is NOT allowed. Use of wristwatches and electronic calculators is permitted, but multiple-use devices such as cell phones, smartphones etc., CANNOT be used for this purpose.
8. Do NOT ask for clarifications from the invigilators regarding the questions. They have been instructed not to respond to any such inquiries from candidates. In case a correction/clarification is deemed necessary, the invigilator(s) will announce it publicly.
9. List of useful **physical constants** is given on the next sheet.

USEFUL CONSTANTS AND UNIT CONVERSIONS

Symbol	Definition/Name	Value
c	Speed of light in vacuum	$3.0 \times 10^8 \text{ m s}^{-1}$
\hbar	reduced Planck constant ($h/2\pi$)	$1.05 \times 10^{-34} \text{ J s}$
G_N	Gravitational constant	$6.67 \times 10^{-11} \text{ m}^3 \text{ Kg}^{-1} \text{ s}^{-2}$
e	Electron charge (magnitude)	$1.60 \times 10^{-19} \text{ C}$
ϵ_0	Permittivity of free space	$8.85 \times 10^{-12} \text{ F m}^{-1}$
μ_0	permeability of free space	$4\pi \times 10^{-7} \text{ N A}^{-2}$
k_B	Boltzmann constant	$8.62 \times 10^{-5} \text{ eV K}^{-1} = 1.38 \times 10^{-23} \text{ J K}^{-1}$
m_e	Electron mass	$0.5 \text{ MeV}/c^2$
m_n	Neutron mass	$\approx 2000 m_e \approx m_p$
m_p	Proton mass	$\approx 2000 m_e \approx m_n$
N_A	Avogadro number	$6.023 \times 10^{23} \text{ mol}^{-1}$
$R = k_B N_A$	Gas constant	$8.31 \text{ J mol}^{-1} \text{ K}^{-1}$
$\gamma = C_P/C_V$	ratio of specific heats : monatomic gas	1.67
	: diatomic gas	1.40
g	Acceleration due to gravity (sea level)	9.8 m s^{-1}
R_e	Radius of the Earth	6 400 Km
R_s	Radius of the Sun	700 000 Km
σ	Stefan-Boltzmann constant	$5.67 \times 10^{-8} \text{ W m}^{-2} \text{ K}^{-4}$
$\hbar c$	Conversion constant	$197 \text{ MeV fm} = 3.16 \times 10^{-26} \text{ J m}$
$\alpha = e^2/4\pi\epsilon_0\hbar c$	Fine structure constant	1/137
$a_0 = 4\pi\epsilon_0\hbar^2/e^2m_e$	Bohr radius	0.51 Å
	Ionisation energy of H atom	13.6 eV
<hr/>		
1 Å	Ångstrom unit	10^{-10} m
1 eV	electron Volt	$1.60 \times 10^{-19} \text{ J}$
1 T	Tesla	10^4 Gauss
1 W	Watt	1 J s^{-1}
1 bar	atmospheric pressure	$1.01 \times 10^5 \text{ Pa} = 1.01 \times 10^5 \text{ N m}^{-2}$
1 a.m.u.	atomic mass unit	$931.49 \text{ MeV}/c^2$

Rough Work

GS-2011 (PHYSICS) X

A Marks $20 \times 3 = 60$

Time: 100 minutes (approx.)

A1. The infinite series

$$x + \frac{x^3}{3} + \frac{x^5}{5} + \frac{x^7}{7} + \dots$$

where $-1 < x < +1$, can be summed to the value

- (a) $\tanh x$ (b) $\ln \left(1 - \frac{4}{\pi} \tan^{-1} x\right)$ (c) $\frac{1}{2} \ln \left[\frac{(1+x)}{(1-x)}\right]$ (d) $\frac{1}{2} \ln \left[\frac{(1-x)}{(1+x)}\right]$

A2. A 100 page book is known to have 200 printing errors distributed randomly through the pages. The probability that one of the pages will be found to be completely free of errors is closest to

- (a) 67% (b) 50% (c) 25% (d) 13%

A3. Consider the matrix

$$\mathbb{M} = \begin{pmatrix} 1 & 0 & 0 \\ 0 & 0 & -1 \\ 0 & -1 & 0 \end{pmatrix}$$

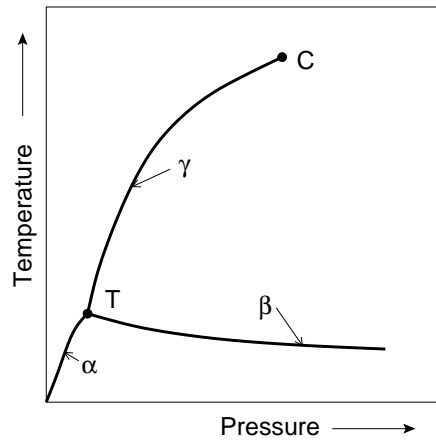
A 3-dimensional basis formed by eigenvectors of \mathbb{M} is

- (a) $\begin{pmatrix} 2 \\ 1 \\ -1 \end{pmatrix}$, $\begin{pmatrix} 1 \\ -1 \\ 1 \end{pmatrix}$ and $\begin{pmatrix} 0 \\ 1 \\ -1 \end{pmatrix}$ (b) $\begin{pmatrix} 1 \\ 1 \\ -1 \end{pmatrix}$, $\begin{pmatrix} 0 \\ 1 \\ 1 \end{pmatrix}$ and $\begin{pmatrix} 0 \\ 1 \\ -1 \end{pmatrix}$
- (c) $\begin{pmatrix} 0 \\ 0 \\ 0 \end{pmatrix}$, $\begin{pmatrix} 0 \\ 1 \\ 1 \end{pmatrix}$ and $\begin{pmatrix} 0 \\ 1 \\ -1 \end{pmatrix}$ (d) $\begin{pmatrix} 2 \\ 1 \\ -1 \end{pmatrix}$, $\begin{pmatrix} 0 \\ 1 \\ 1 \end{pmatrix}$ and $\begin{pmatrix} -1 \\ 1 \\ 1 \end{pmatrix}$

A4. Two solid spheres S_1 and S_2 of the same uniform density fall from rest under gravity in a viscous medium and, after some time, reach terminal velocities v_1 and v_2 respectively. If the masses of S_1 and S_2 are m_1 and m_2 respectively, and $v_1 = 4v_2$, then the ratio m_1/m_2 is

- (a) $1/8$ (b) $1/4$ (c) 4 (d) 8

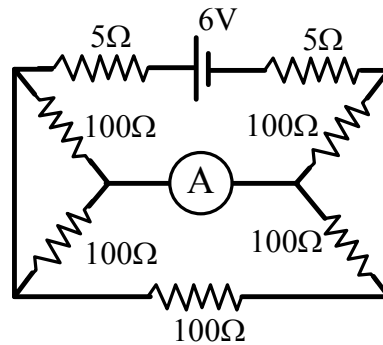
A9. The phase diagram of a pure substance is given in the figure below, where 'T' denotes the triple point and 'C' denotes the critical point.



The phase transitions occurring along the lines marked α , β and γ are

- (a) α = melting; β = condensation; γ = sublimation
- (b) α = sublimation; β = vaporisation; γ = melting;
- (c) α = melting; β = vaporisation; γ = condensation
- (d) α = sublimation; β = melting; γ = vaporisation

A10. The current read by the ammeter (A) in the circuit given below is

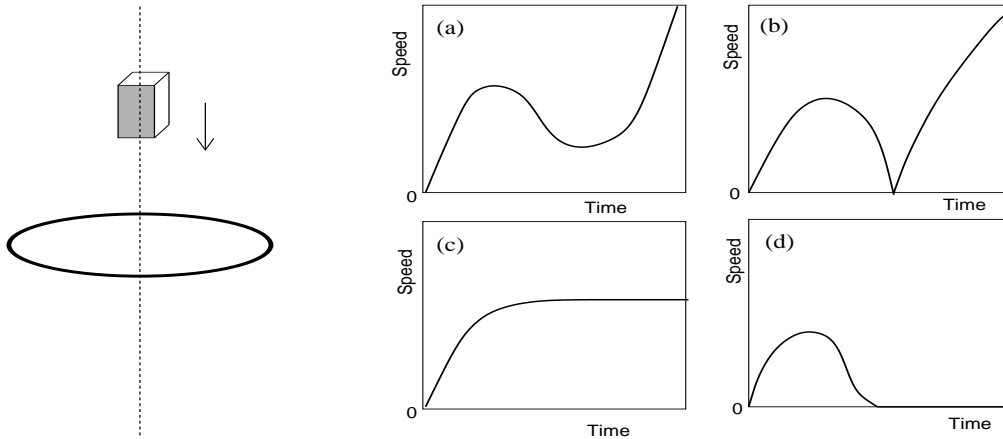


- (a) 27.3 mA
- (b) 100.0 mA
- (c) 54.5 mA
- (d) 50.0 mA

A11. The sign of the majority charge carriers in a doped silicon crystal is to be determined experimentally. In addition to a voltage supply, the combination of instruments needed to perform the experiment is

- (a) Thermometer, Voltmeter and Ammeter
- (b) Pickup Coil, Voltmeter and Ammeter
- (c) Magnet, Voltmeter and Ammeter
- (d) Heater, Magnet and Thermometer

- A12. A small but very powerful bar magnet falls from rest under gravity through the centre of a horizontal ring of conducting wire, as shown in the figure below (on the left). The speed-versus-time graph, in arbitrary units, of the magnet will correspond most closely to which of the four plots below (on the right)?



- A13. The spectra of electromagnetic radiation emitted by distant objects like stars and galaxies give important clues about their physical properties. In this context, a correct statement is that

- (a) the nuclear structure of the distant objects cannot be determined from lines in the visible region of the spectrum
- (b) absorption lines in the spectra of distant objects do not carry information about their motion in a direction transverse to the line of sight
- (c) the wavelengths in the emission spectrum of an element in a star are always the same as those found in laboratory experiments
- (d) absorption spectra cannot be used to determine which molecules are present in the distant objects

- A14. Given that the ionization energies of Hydrogen (${}^1\text{H}$) and Lithium (${}^3\text{Li}$) are 13.6 eV and 5.39 eV, respectively, the effective nuclear charge experienced by the valence electron of a ${}^3\text{Li}$ atom may be estimated in terms of the proton charge e as

- (a) $0.63e$ (b) $1.26e$ (c) $1.59e$ (d) $3.00e$

- A15. Two identical non-interacting particles, each of mass m and spin $\frac{1}{2}$, are placed in a one-dimensional box of length L . In quantum mechanics, the lowest possible value of the total energy of these two particles is ϵ_0 . If, instead, four such particles are introduced into a similar one-dimensional box of length $2L$, then the lowest possible value of their total energy will be

- (a) $2\epsilon_0$ (b) $5\epsilon_0/4$ (c) $3\epsilon_0/2$ (d) ϵ_0

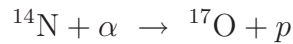
A16. An excited atomic electron undergoes a spontaneous transition

$$3d_{3/2} \rightarrow 2p_{1/2}$$

The interaction responsible for this transition must be of the type

- | | | |
|------------------------------|----|--------------------------|
| (a) electric dipole (E1) | OR | magnetic quadrupole (M2) |
| (b) electric dipole (E1) | OR | magnetic dipole (M1) |
| (c) electric quadrupole (E2) | OR | magnetic quadrupole (M2) |
| (d) electric quadrupole (E2) | OR | magnetic dipole (M1) |

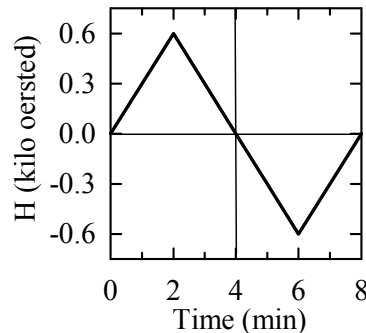
A17. A fast-moving ^{14}N nucleus collides with an α particle at rest in the laboratory frame, giving rise to the reaction



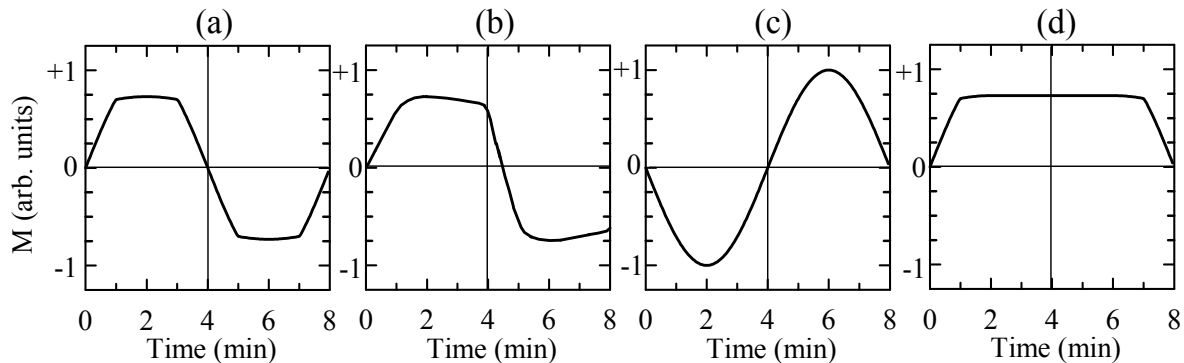
Given the masses 14.00307 a.m.u. and 16.99913 a.m.u. for ^{14}N and ^{17}O nuclei respectively, and 4.00260 a.m.u. and 1.00783 a.m.u. for α and p respectively, the minimum kinetic energy in the laboratory frame of the ^{14}N nucleus must be

- | | | | |
|--------------|--------------|--------------|--------------|
| (a) 4.20 MeV | (b) 1.20 MeV | (c) 5.41 MeV | (d) 1.55 MeV |
|--------------|--------------|--------------|--------------|

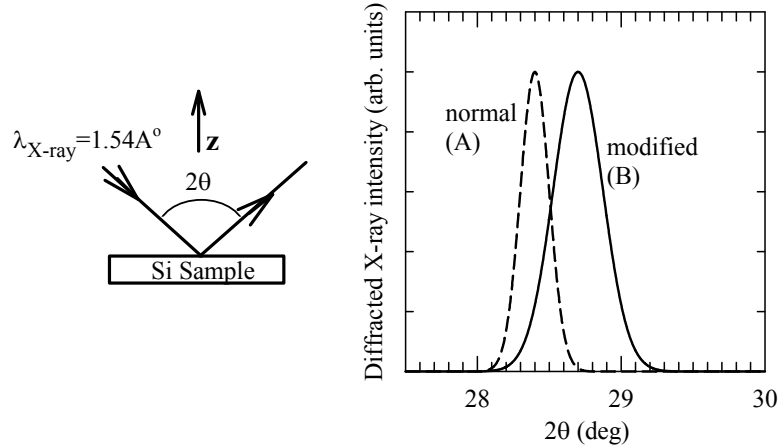
A18. An unmagnetised sample of iron is placed in a magnetic field H which varies with time as shown in the plot below.



The magnetisation M of this iron sample is continuously measured and also plotted as a function of time. The appearance of this plot will be closest to



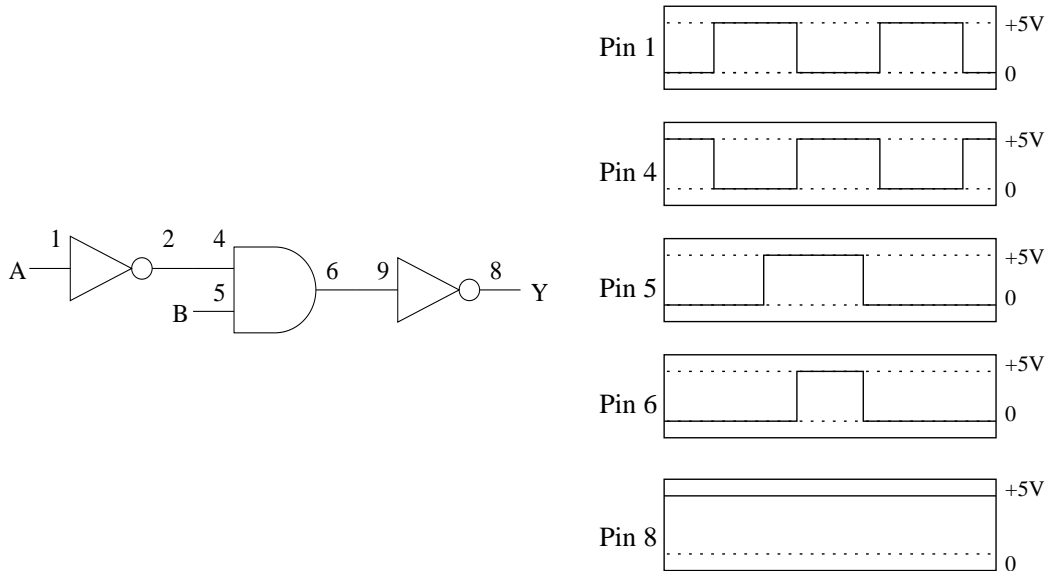
A19. The figure below shows the Bragg diffraction pattern for X-rays of wavelength 1.54 \AA incident on two crystalline Silicon thin film Samples A and B. The dashed line corresponds to a normal Sample A and the continuous line corresponds to another Sample B, which is modified due to differences in the growth conditions.



These plots suggest that the modified sample B is

- (a) stretched in all directions by 3%
- (b) compressed in all directions by 3%
- (c) stretched in the z direction by 1% and possibly compressed in x & y directions
- (d) compressed in the z direction by 1% and possibly stretched out in x & y directions

A20. The digital electronic circuit shown below (left side) has some problem and is not performing as intended. The voltage at each pin as a function of time is shown in the adjacent figures.



The problem in the about circuit may be that

- (a) the Pin 6 is shorted to ground
- (b) the input inverter is shorted
- (c) the Pin 8 is clamped to +5 V
- (d) OR gate is used instead of AND gate

GS-2011 (PHYSICS) X

B Marks $8 \times 5 = 40$

Time: 80 minutes (approx.)

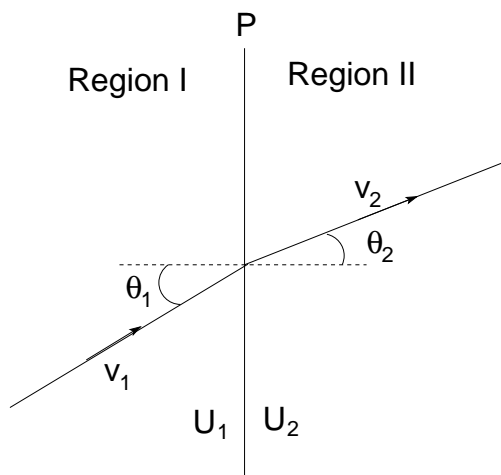
B1. The trace of the real 4×4 matrix $\mathbb{U} = \exp(\mathbb{A})$, where

$$\mathbb{A} = \begin{pmatrix} 0 & 0 & 0 & \pi/4 \\ 0 & 0 & -\pi/4 & 0 \\ 0 & \pi/4 & 0 & 0 \\ -\pi/4 & 0 & 0 & 0 \end{pmatrix}$$

is equal to

- | | | |
|-----------------|-------------|---|
| (a) $2\sqrt{2}$ | (b) $\pi/4$ | (c) $\exp(i\varphi)$ for $\varphi = 0, \pi$ |
| (d) zero | (e) $\pi/2$ | (f) 2 |

B2. A region of space is divided into two parts by a plane P, as shown in the figure below. A particle of mass m passes from Region I to Region II, where it has speed v_1 and v_2 respectively. There is a constant potential U_1 in Region I and U_2 in Region II.



Let T_1 be the kinetic energy of the particle in Region I. If the trajectory of the particle is inclined to the normal to the plane P by angles θ_1 and θ_2 , as shown in the figure then the ratio $\sin \theta_1 / \sin \theta_2$ is given by

- | | | |
|----------------------------------|----------------------------------|----------------------------------|
| (a) $\sqrt{1 - T_1/(U_1 - U_2)}$ | (b) $\sqrt{1 + T_1/(U_1 - U_2)}$ | (c) $\sqrt{1 - (U_1 + U_2)/T_1}$ |
| (d) $\sqrt{1 + (U_1 + U_2)/T_1}$ | (e) $\sqrt{1 - T_1/(U_1 - U_2)}$ | (f) $\sqrt{1 + (U_1 - U_2)/T_1}$ |

- B3. The electric field of an electromagnetic wave of angular frequency ω propagating in a medium with conductivity σ , permittivity ϵ and permeability μ is given by

$$E = E_0 \exp[-i(\omega t - kx)]$$

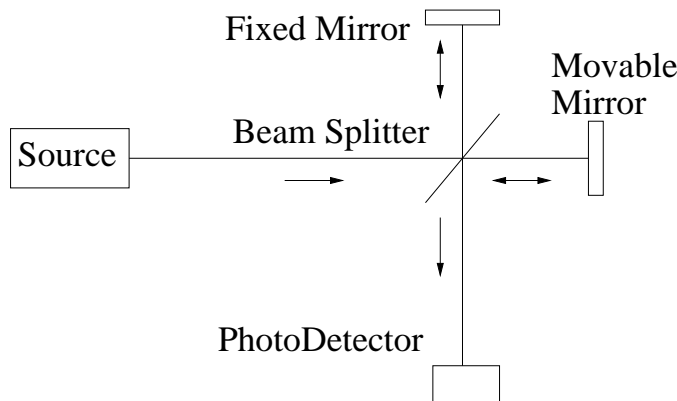
where the imaginary part of the complex propagation constant k is $\omega\sqrt{\mu\epsilon/2}$ multiplied by the factor

- (a) $\left[\sqrt{1 + \sqrt{\sigma/\omega\epsilon}} + 1\right]^{1/2}$ (b) $\left[\sqrt{1 + \sigma/\omega\epsilon} + 1\right]^{1/2}$ (c) $\left[\sqrt{1 + (\sigma/\omega\epsilon)^2} - 1\right]^{1/2}$
 (d) $\left[\sqrt{1 + (\sigma/\omega\epsilon)^2} + 1\right]^{1/2}$ (e) $\left[\sqrt{1 + \sqrt{\sigma/\omega\epsilon}} - 1\right]^{1/2}$ (f) $\left[\sqrt{1 + \sigma/\omega\epsilon} - 1\right]^{1/2}$

- B4. A system having N non-degenerate energy eigenstates is populated by N identical spin-zero particles and $2N$ identical spin-half particles. There are no interactions between any of these particles. If $N = 1000$, the entropy of the system is closest to

- (a) $13.82 k_B$ (b) zero (c) $693.1 k_B$
 (d) $1000 k_B$ (e) $5909.693 k_B$ (f) $6909 k_B$

- B5. The Michelson interferometer in the figure below can be used to study properties of light emitted by distant sources.



A Source S_1 , when at rest, is known to emit light of wavelength 632.8 nm. In this case, if the Movable Mirror is translated through a distance d , it is seen that 99,565 interference fringes pass across the Photo-Detector. For another Source S_2 , moving at an uniform speed of $1.5 \times 10^7 \text{ m s}^{-1}$ towards the interferometer along the straight line joining it to the Beam Splitter, one sees 100,068 interference fringes pass across the Photo-Detector for the same displacement d of the Movable Mirror. It follows that S_2 , in its own rest frame, must be emitting light of wavelength

- (a) 661.9 nm (b) 662.8 nm (c) 598.9 nm
 (d) 631.2 nm (e) 599.6 nm (f) 628.0 nm

B6. A particle of mass m is placed in the ground state of a one-dimensional harmonic oscillator potential of the form

$$V(x) = \frac{1}{2} kx^2$$

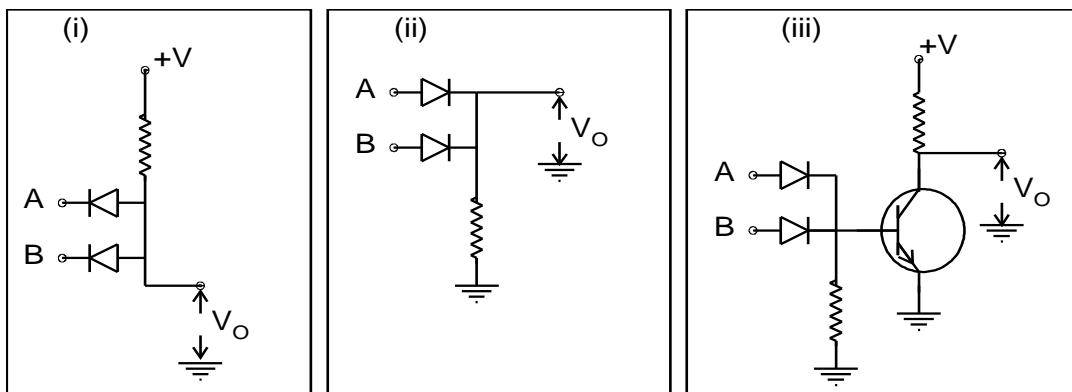
where the stiffness constant k can be varied externally. The ground state wavefunction has the form $\psi(x) \propto \exp(-ax^2\sqrt{k})$ where a is a constant. If, suddenly, the parameter k is changed to $4k$, the probability that the particle will remain in the ground state of the new potential is

- | | | |
|----------|----------|----------|
| (a) 0.47 | (b) 0.06 | (c) 0.53 |
| (d) 0.67 | (e) 0.33 | (f) 0.94 |

B7. A Cloud Chamber of width 0.01 m is filled with pure nitrogen gas (N_2) at normal temperature and pressure. A beam of α particles, when incident normally on the chamber, make tracks which are visible under strong illumination. Whenever an α particle (${}^4_2\text{He}$) has a nuclear collision with a ${}^{14}_7\text{N}$ nucleus, the track shows a distinct bend. The radius of a nucleus is given by $r = r_0A^{1/3}$ where $r_0 = 1.217 \times 10^{-15}$ m and A is the atomic mass number. If the α particles move at non-relativistic speeds, and the total number of incident α particles is 10^7 , the number of such distinct bends is approximately

- | | | |
|---------|---------|---------|
| (a) 100 | (b) 200 | (c) 300 |
| (d) 400 | (e) 500 | (f) 600 |

B8. The three electronic circuits marked (i), (ii) and (iii) in the figure below can all work as logic gates, where the input signals are either 0 V or 5 V and the output is V_O .



Identify the correct combination of logic gates (i), (ii), (iii) in the options given below.

- | | | |
|--------------------|-------------------|--------------------|
| (a) NOR, XOR, AND | (b) OR, NAND, NOR | (c) NAND, AND, XOR |
| (d) XOR, AND, NAND | (e) AND, OR, NOR | (f) NOR, NAND, OR |

Rough Work