

B.Tech Degree III Semester Examination November 2005

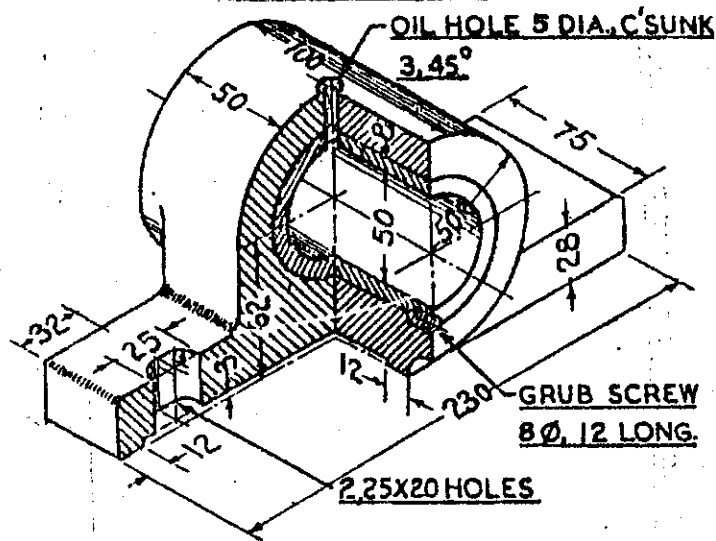
ME 303 MACHINE DRAWING

(2002 Admissions Onwards)

Time : 4 Hours

Max. Marks:100

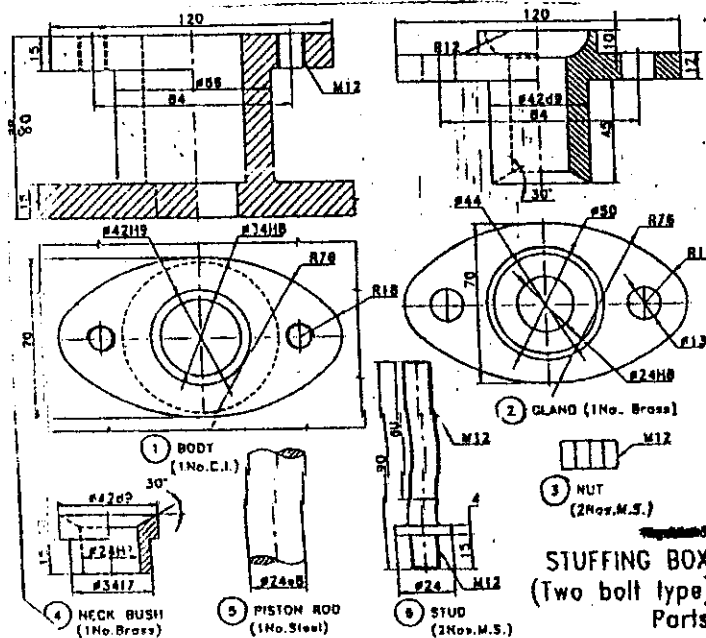
- I a) Sketch the following foundation bolts:
 i) Lewis foundation bolt ii) Rag foundation bolt (10)
 b) Draw the sectional front view of two 20mm thick plates fastened together by means of a 20mm diameter stud, a hexagonal nut and a washer. Insert important dimensions. (20)
- OR**
- II a) Draw the following views of a gib and colter joint suitable for a square rod of size 30mm:
 i) Full sectional elevation ii) End view from left (30)
- III a) Make a neat dimensioned sketch of a flanged joint for two 100mm diameter GI pipes. (20)
 b) Draw a neat sketch of 2 pin-type flexible coupling. (10)
- OR**
- IV Draw full size (i) half sectional front view ii) sectional side view and (iii) half sectional top view of the bushed bearing shown in figure:



(30)

- V Parts of a stuffing box used in a vertical steam engine are shown in figure. Draw the assembled drawings giving:

- i) Full sectional elevation ii) Plan



(40)

