

**DO NOT OPEN THIS TEST BOOKLET UNTIL YOU ARE ASKED TO DO SO**

T.B.C. : Q-GUG-K-FUB

इन्जीनियरिंग सेवा परीक्षा,  
Engineer Service Examination.

2010 Test Booklet Series

Serial No.

72861

## TEST BOOKLET

### ELECTRONICS AND TELECOMMUNICATION ENGINEERING



Paper—II

**Time Allowed : Two Hours**

**Maximum Marks : 200**

#### INSTRUCTIONS

1. IMMEDIATELY AFTER THE COMMENCEMENT OF THE EXAMINATION, YOU SHOULD CHECK THAT THIS TEST BOOKLET DOES **NOT** HAVE ANY UNPRINTED OR TORN OR MISSING PAGES OR ITEMS ETC. IF SO, GET IT REPLACED BY A COMPLETE TEST BOOKLET.
2. ENCODE CLEARLY THE TEST BOOKLET SERIES A, B, C OR D AS THE CASE MAY BE IN THE APPROPRIATE PLACE IN THE ANSWER SHEET.
3. You have to enter your Roll Number on the Test Booklet in the Box provided alongside. **DO NOT** write *anything else* on the Test Booklet.
4. This Test Booklet contains 120 items (questions). Each item comprises four responses (answers). You will select the response which you want to mark on the Answer Sheet. In case you feel that there is more than one correct response, mark the response which you consider the best. In any case, choose **ONLY ONE** response for each item.
5. You have to mark all your responses **ONLY** on the separate Answer Sheet provided. See directions in the Answer Sheet.
6. All items carry equal marks.
7. Before you proceed to mark in the Answer Sheet the response to various items in the Test Booklet, you have to fill in some particulars in the Answer Sheet as per instructions sent to you with your Admission Certificate.
8. After you have completed filling in all your responses on the Answer Sheet and the examination has concluded, you should hand over to the Invigilator **only the Answer Sheet**. You are permitted to take away with you the Test Booklet.
9. Sheets for rough work are appended in the Test Booklet at the end.
10. **Penalty for wrong answers :**  
THERE WILL BE PENALTY FOR WRONG ANSWERS MARKED BY A CANDIDATE IN THE OBJECTIVE TYPE QUESTION PAPERS.
  - (i) There are four alternatives for the answer to every question. For each question for which a wrong answer has been given by the candidate, **one-third (0.33)** of the marks assigned to that question will be deducted as penalty.
  - (ii) If a candidate gives more than one answer, it will be treated as a **wrong answer** even if one of the given answers happens to be correct and there will be same penalty as above to that question.
  - (iii) If a question is left blank, i.e., no answer is given by the candidate, there will be **no penalty** for that question.

**DO NOT OPEN THIS TEST BOOKLET UNTIL YOU ARE ASKED TO DO SO**

1. Consider the following statements :  
When compared with a bridge rectifier, a centre-tapped full wave rectifier :

1. Has larger transformer utilization factor.
2. Can be used for floating output terminals i.e. no input terminal is grounded.
3. Needs two diodes instead of four.
4. Needs diodes of a lower PIV rating.

Which of the above statements are correct ?

- (a) 1 and 2 only
- (b) 1, 2, 3 and 4
- (c) 3 only
- (d) 3 and 4 only

2. A linear time-invariant system initially at rest, when subjected to a unit-step input, gives a response  $y | t | = te^{-t}$ ,  $t > 0$ . The transfer function of the system is :

- (a)  $\frac{1}{(s+1)^2}$
- (b)  $\frac{1}{s(s+1)^2}$
- (c)  $\frac{s}{(s+1)^2}$
- (d)  $\frac{1}{s+1}$

3. The hexadecimal representation of  $657_8$  is :

- (a) 1AFH
- (b) D78H
- (c) D71H
- (d) 32FH

4. A 13 bit PCM system performance is better than an 8 bit PCM system because :

- (a) Noise is lower and is proportional to reciprocal of bandwidth
- (b) Bandwidth is larger and detection is easier
- (c) Quantization noise is lesser other things being equal
- (d) Quantization noise is nearly zero since  $2^{13}$  levels are available

5. Match List-I with List-II and select the correct answer using the code given below the lists :

<i>List-I</i> (Device)	<i>List-II</i> (Application)
A. Transferred electron devices	1. Microwave amplifier
B. Two-cavity Klystron	2. Microwave oscillator
C. PIN diode	3. Microwave low power measurement
D. Bolometer	4. Modulator

Code :

	A	B	C	D
(a)	3	1	4	2
(b)	2	1	4	3
(c)	3	4	1	2
(d)	2	4	1	3

6. The default parameter-passing mechanism in C-programming language is :

- (a) Call by reference
- (b) Call as random
- (c) Call by value
- (d) Call by value result

7. Consider the function  $F(s) = \frac{5}{s(s^2 + 3s + 2)}$ , where  $F(s)$  is Laplace transform of function  $f(t)$ . The initial value of  $f(t)$  is :

- (a) 5
- (b) 5/2
- (c) 5/3
- (d) 0

8. The data type defined by user is :

- (a) Built-in data type
- (b) Abstract data type
- (c) Homogeneous data type
- (d) Real data type

9. Insertion of a record in a circularly linked list involves the modification of :

- (a) 4 pointers
- (b) 3 pointers
- (c) 2 pointers
- (d) 1 pointer

10. The spectrum of a band pass signal spans from 20 kHz to 30 kHz. The signal can be recovered ideally from the sampled values when the sampling rate is at least :

- (a) 20 kHz
- (b) 60 kHz
- (c) 50 kHz
- (d) 40 kHz

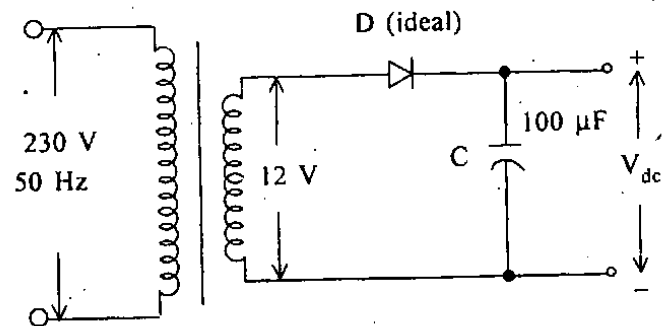
11. Match List-I with List-II and select the correct answer using the code given below the lists :

<i>List-I</i>	<i>List-II</i>
A. Rectangular waveguide	1. Plane of polarization
B. Waveguide twists	2. Waveguide tuner
C. Slotted section	3. TE <sub>10</sub> mode
D. Stub screws	4. VSWR measurements

Code :

	A	B	C	D
(a)	2	4	1	3
(b)	3	4	1	2
(c)	2	1	4	3
(d)	3	1	4	2

12.



The output  $V_{dc}$  from the above circuit is :

- (a)  $12\sqrt{2}$
- (b)  $12/\pi$
- (c)  $24/\pi$
- (d)  $12/\sqrt{2}$

13. Which of the following data structure is used by a compiler to manage information about variables and their attributes ?
- Abstract syntax tree
  - Linked list
  - Parse table
  - Symbol table
14. A transistor works in three regions :
- Cut-off
  - Active
  - Saturation.
- While used as switch in digital logic gates, the regions it works in are :
- 1 and 2 only
  - 2 and 3 only
  - 1 and 3 only
  - 1, 2 and 3
15. The number of edges in a regular graph of degree  $D$  and  $N$  vertices is equal to :
- $ND$
  - $ND / 2$
  - $N + D$
  - $N^D$
16. The Boolean expression  $\overline{A + \overline{B} + C} + \overline{\overline{A} + \overline{B} + C} + \overline{A + \overline{B} + \overline{C}} + ABC$  reduces to :
- $A$
  - $B$
  - $C$
  - $A + B + C$
17. A single bus structure is primarily found in :
- Main frames
  - Mini and micro computers
  - Super computers
  - High performance machines
18. In a unity feedback control system with  $G(s) = \frac{4}{s^2 + 0.4s}$  when subjected to unit step input, it is required that system response should be settled within 2% tolerance band; the system settling time is :
- 1 sec
  - 2 sec
  - 10 sec
  - 20 sec
19. The ability to halt the CPU temporarily and use this interval of time to send information on buses is called :
- Cycle stealing
  - Vectoring an interrupt
  - Polling
  - Direct memory access
20. A rectifier (without filter) with fundamental ripple frequency equal to twice the mains frequency, has ripple factor of 0.482 and power conversion efficiency equal to 81.2%. The rectifier is :
- Bridge rectifier
  - Full-wave (non bridge) rectifier
  - Half-wave rectifier.
- Which of these are correct ?
- 2 and 3 only
  - 2 only
  - 1 and 2 only
  - 1, 2 and 3

21. Consider the following :

1. Compilers
2. Design
3. Evaluation
4. Instruction set architecture

Which of these are included in the present definition of computer architecture to design a full computer system ?

- (a) 1, 2 and 3
- (b) 1, 3 and 4
- (c) 2, 3 and 4
- (d) 1, 2, 3 and 4

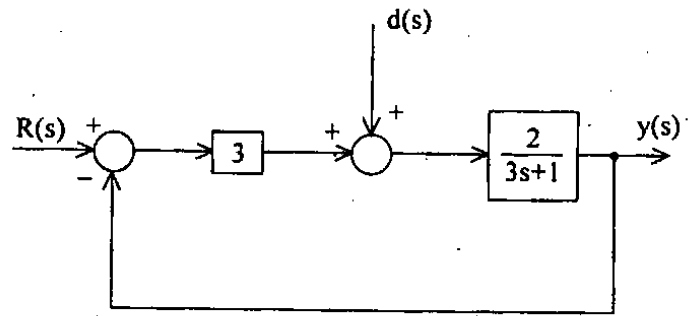
22. The Nyquist rate for the signal  $x(t) = 2 \cos(2000\pi t) \cos(5000\pi t)$ , is :

- (a) 7 kHz
- (b) 5 kHz
- (c) 14 kHz
- (d) 10 kHz

23. Given that main memory access time is 1200 ns and Cache access time is 100 ns; the average memory access time is not to exceed 120 ns. The hit ratio for the Cache must be at least :

- (a) 90%
- (b) 98%
- (c) 80%
- (d) 75%

24.



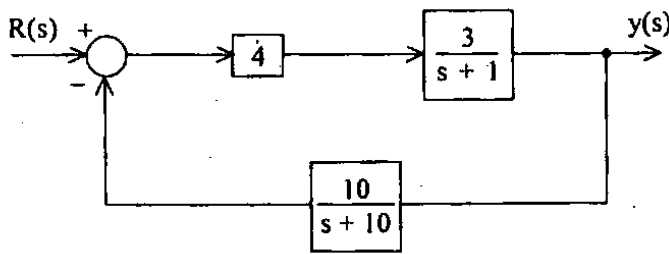
The transfer function from  $d(s)$  to  $y(s)$  is :

- (a)  $\frac{2}{3s+7}$
- (b)  $\frac{2}{3s+1}$
- (c)  $\frac{6}{3s+7}$
- (d)  $\frac{2}{3s+6}$

25. An I/O processor controls the flow of information between :

- (a) Cache memory and I/O devices
- (b) Main memory and I/O devices
- (c) Two I/O devices
- (d) Cache and main memory

26.



The characteristic equation of the above closed-loop system is :

- (a)  $s^2 + 11s + 10 = 0$
- (b)  $s^2 + 11s + 130 = 0$
- (c)  $s^2 + 10s + 120 = 0$
- (d)  $s^2 + 10s + 12 = 0$

27. The standard SOP expression for Boolean expression  $A\bar{B} + AC + BC$  is :

- (a)  $A\bar{B}C + \bar{A}BC + A\bar{B}\bar{C} + ABC$
- (b)  $ABC + \bar{A}BC + ABC$
- (c)  $A\bar{B}C + ABC + ABC$
- (d)  $\bar{A}BC + ABC + \bar{A}BC$

28. The complement of the expression  $Y = ABC + A\bar{B}C + \bar{A}BC + \bar{A}\bar{B}C$  is :

- (a)  $(A + \bar{B})(A + \bar{C})$
- (b)  $(\bar{A} + B)(A + C)$
- (c)  $(A + \bar{B})(\bar{A} + C)$
- (d)  $(\bar{A} + \bar{B})(A + \bar{C})$

29. Which one of the following has the shortest access time?

- (a) NMOS EPROM
- (b) NMOS RAM
- (c) CMOS RAM
- (d) Bipolar static RAM

30. The main disadvantage of using coaxial cable for microwave signals is its :

- (a) Low selectivity
- (b) Low distortion
- (c) High attenuation
- (d) High sensitivity

31. If the gain of the system is reduced to zero value, the roots of the system in the s-plane :

- (a) Coincide with zeros
- (b) Move away from the zeros
- (c) Move away from the poles
- (d) Coincide with the poles

32. The figure of merit of a logic family is given by the product of :

- (a) Gain and bandwidth
- (b) Propagation delay time and power dissipation
- (c) Fan-out and propagation delay time
- (d) Noise margin and power dissipation

33. In NOR-NOR configuration, the minimum number of NOR gates needed to implement the switching function  $X + X\bar{Y} + X\bar{Y}Z$  is :
- (a) 5
  - (b) 3
  - (c) 2
  - (d) 0

34. The addition of open loop zero pulls the root-loci towards :
- (a) The left and therefore system becomes more stable
  - (b) The right and therefore system becomes unstable
  - (c) Imaginary axis and therefore system becomes marginally stable
  - (d) The left and therefore system becomes unstable

35. Match List-I with List-II and select the correct answer using the code given below the lists :

<i>List-I</i>	<i>List-II</i>
A. HTL	1. High fan-out
B. CMOS	2. Highest speed of operation
C. I <sup>2</sup> L	3. High noise immunity
D. ECL	4. Lowest product of power and delay

Code :

	A	B	C	D
(a)	3	4	1	2
(b)	2	1	4	3
(c)	3	1	4	2
(d)	2	4	1	3

36. On receiving an interrupt from an I/O device, the CPU :
- (a) Halts for a predetermined time.
  - (b) Branches off to the interrupt service routine after completion of the current instruction
  - (c) Branches off to the interrupt service routine immediately
  - (d) Hands over control of address bus and data bus to the interrupting device

37. Consider the following statements with regard to a PLL :

1. The 'capture range' of a PLL primarily depends upon the slope of transition band edge of the low-pass filter.
2. The 'lock range' is not affected by the slope of transition band of the low-pass filter.

Which of the above statements is/are correct ?

- (a) Both 1 and 2
- (b) 1 only
- (c) 2 only
- (d) Neither 1 nor 2

38. In microprocessor based systems DMA facility is required to increase the speed of data transfer between the :

- (a) Microprocessor and the I/O devices
- (b) Microprocessor and the memory
- (c) Memory and the I/O devices
- (d) Memory and the reliability system

39. If  $x(t)$  is of finite duration and is absolutely integrable, then the 'region of convergence' is :
- Entire  $s$  plane
  - From  $\sigma = -1$  to  $\sigma = +\infty$
  - From  $\sigma = +1$  to  $\sigma = -\infty$
  - Entire right half plane

40. The quantization noise of a PCM system, depends on :
- Number of quantization levels
  - Step-size
  - Both step-size and number of quantization levels
  - Sampling rate

41. Match List-I with List-II and select the correct answer using the code given below the lists :

List-I

- Pipelined ALU
- Simpler compiler
- Separate data and instruction caches
- Lesser cycles per instruction

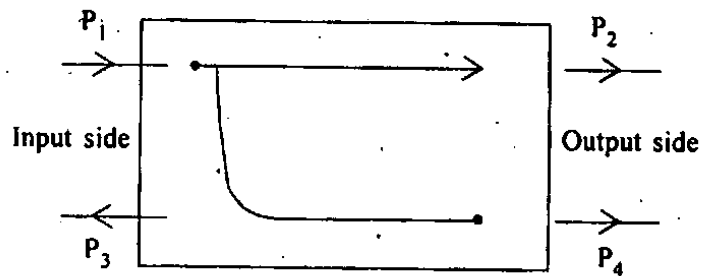
Code :

- |     | A | B | C | D |
|-----|---|---|---|---|
| (a) | 3 | 2 | 3 | 1 |
| (b) | 1 | 2 | 3 | 3 |
| (c) | 3 | 3 | 2 | 1 |
| (d) | 3 | 3 | 3 | 1 |

List-II

- RISC
- CISC
- Mixed RISC-CISC

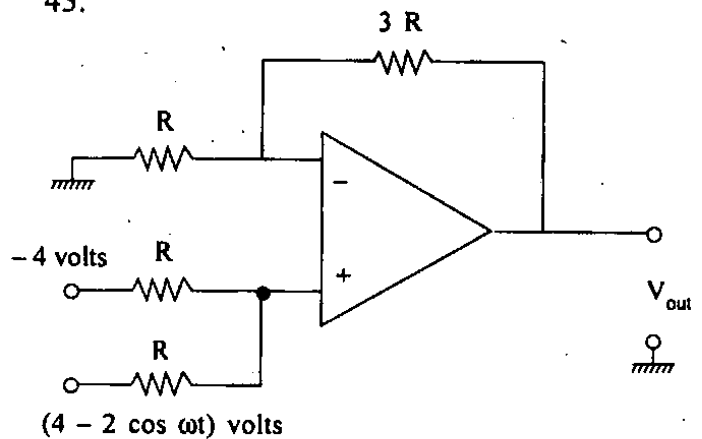
42.



For the above directional coupler a coupling factor in dB is :

- $10 \log_{10} \frac{P_1}{P_4}$
- $10 \log_{10} \frac{P_1}{P_2}$
- $10 \log_{10} \frac{P_2}{P_4}$
- $10 \log_{10} \frac{P_1}{P_3}$

43.



The output of the above OP-amp circuit is :

- 0.75 volts
- $-2 \cos \omega t$  volts
- $-8 \cos \omega t$  volts
- 16 volts



44. A TDM system is to be designed to multiplex the following two signals :

$$x_1 = 5 \cos (2000 \pi t)$$

$$x_2 = 2 \cos (2000 \pi t) \cos (3000 \pi t)$$

The minimum sampling rate is :

- (a) 4 kHz
- (b) 5 kHz
- (c) 10 kHz
- (d) 6 kHz

45. An example of a spooled device is :

- (a) A graphical display device
- (b) A line printer used to print the output of a number of jobs
- (c) A secondary storage device in a virtual memory system
- (d) A terminal used to enter input data to a running program

46. Which one of the following is a Dirichlet condition ?

(a)  $\int_{t_1}^{\infty} |x(t)| < \infty$

- (b) Signal  $x(t)$  must have a finite number of maxima and minima in the expansion interval
- (c)  $x(t)$  can have an infinite number of finite discontinuities in the expansion interval
- (d)  $x^2(t)$  must be absolutely summable

47. Consider the following instructions of 8085 microprocessor :

- 1. MOV B, C
- 2. STA address
- 3. ORI byte

The correct sequence in the decreasing order of their respective memory space requirement is :

- (a) 3, 2 and 1
- (b) 1, 3 and 2
- (c) 1, 2 and 3
- (d) 2, 3 and 1

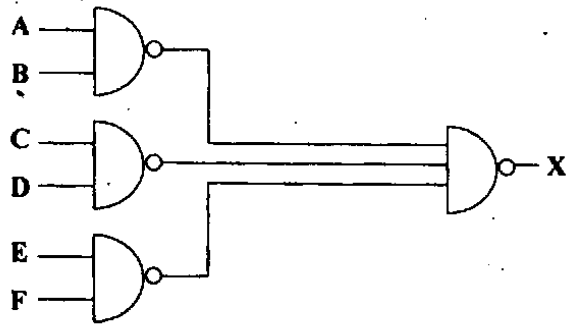
48. A D/A converter has 5 V full-scale output voltage and an accuracy of  $\pm 0.2\%$ . The maximum error for any output voltage will be :

- (a) 5 mV
- (b) 10 mV
- (c) 20 mV
- (d) 1.0 mV

49. If the CALL instruction of 8085 in the main program is conditional then RETURN instruction in the subroutine can be :

- (a) Conditional
- (b) Conditional or unconditional
- (c) Can be determined by LDA instruction
- (d) Unconditional

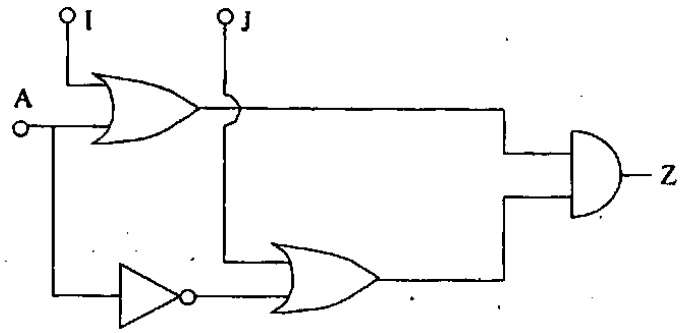
50.



The output X of the above logic circuit is :

- (a)  $AB + CD + EF$
  - (b)  $\overline{AB} + \overline{CD} + \overline{EF}$
  - (c)  $(A + B) \cdot (C + D) \cdot (E + F)$
  - (d)  $(\overline{A + B}) \cdot (\overline{C + D}) \cdot (\overline{E + F})$
51. The 'Double minimum' or the "Width of minimum power" method is used in microwave measurements for the measurement of :
- (a) Velocity modulation
  - (b) Frequency distortion
  - (c) High V.S.W.R.
  - (d) Low V.S.W.R.
52. Consider the following statements :
1. The lock range of a PLL is the difference between the highest and lowest frequencies that the PLL can remain in lock onto.
  2. The capture range of a PLL is the range of frequencies that the voltage controlled oscillator of a PLL can produce.
  3. PLL can be used to synchronize the horizontal and vertical oscillators of TV receivers to incoming sync pulses.
- Which of the above statements is/are correct ?
- (a) 1 only
  - (b) 3 only
  - (c) 1 and 3 only
  - (d) 1, 2 and 3

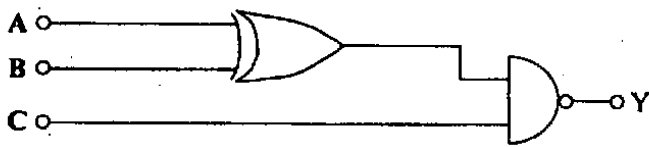
53.



The circuit shown above is to be used to implement the function  $Z = f(A, B) = \overline{A} + B$ . The values of I and J are :

- (a)  $I = 0$  and  $J = B$
  - (b)  $I = 1$  and  $J = B$
  - (c)  $I = B$  and  $J = 1$
  - (d)  $I = B$  and  $J = 0$
54. In the Bode plot of a unity feedback control system, the value of phase angle of  $G(j\omega)$  is  $-90^\circ$  at the gain cross over frequency of the Bode plot, the phase margin of the system is :
- (a)  $-180^\circ$
  - (b)  $+180^\circ$
  - (c)  $-90^\circ$
  - (d)  $+90^\circ$

55.



The Boolean expression for the output of the above logic circuit is :

- (a)  $Y = \overline{AB} + AB + \overline{C}$
- (b)  $Y = \overline{AB} + A\overline{B} + \overline{C}$
- (c)  $Y = A \oplus B + \overline{C}$
- (d)  $Y = AB + \overline{C}$

56. Match List-I with List-II and select the correct answer using the code given below the lists :

<i>List-I</i>	<i>List-II</i>
A. Cavity wave meter	1. Impedance measurements
B. VSWR meter	2. Frequency measurements
C. Bolometer	3. Antenna measurements
D. Fraunhofer region	4. Microwave power measurements

Code :

- |     | A | B | C | D |
|-----|---|---|---|---|
| (a) | 3 | 1 | 4 | 2 |
| (b) | 2 | 1 | 4 | 3 |
| (c) | 3 | 4 | 1 | 2 |
| (d) | 2 | 4 | 1 | 3 |

57. The Nyquist plot of loop transfer function  $G(s)H(s)$  of a closed loop control system passes through the point  $(-1, j0)$  in the  $G(s)H(s)$  plane. The phase margin of the system is :

- (a)  $0^\circ$
- (b)  $45^\circ$
- (c)  $90^\circ$
- (d)  $180^\circ$

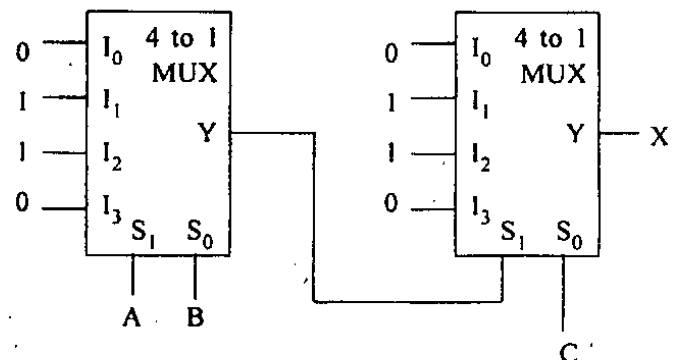
58. When compared with an RS232C serial port, the USB (Universal Serial Bus) :

- (a) Supports a lower range of peripherals
- (b) Supports a faster transfer rate
- (c) Does not support 'Hot plug-ability'
- (d) Controller in PC can not detect the presence or absence of USB devices

59. A ROM is used to store the table for multiplication of two 8-bit unsigned integers. The size of the ROM required is :

- (a)  $256 \times 1$
- (b)  $64k \times 8$
- (c)  $4k \times 16$
- (d)  $64k \times 16$

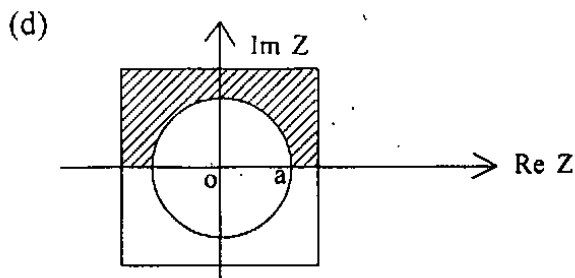
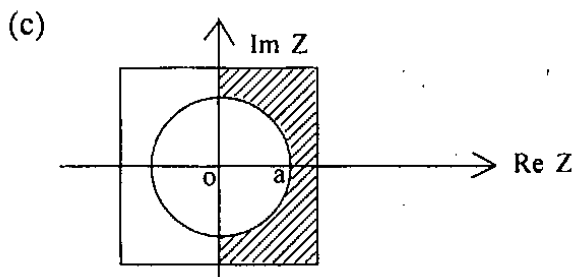
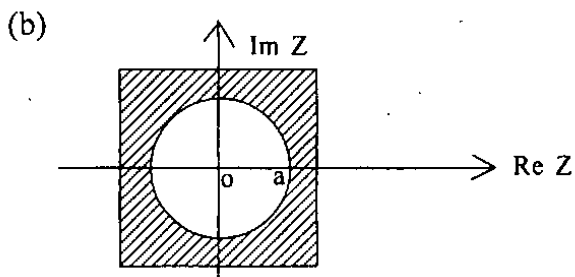
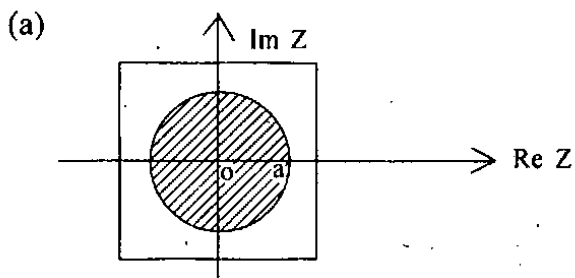
60.



In the above circuit, X is given by :

- (a)  $X = \overline{ABC} + \overline{A}BC + \overline{A}B\overline{C} + \overline{A}BC$
- (b)  $X = \overline{A}BC + \overline{A}B\overline{C} + \overline{A}BC + \overline{A}BC$
- (c)  $X = AB + BC + AC$
- (d)  $X = \overline{AB} + \overline{BC} + \overline{AC}$

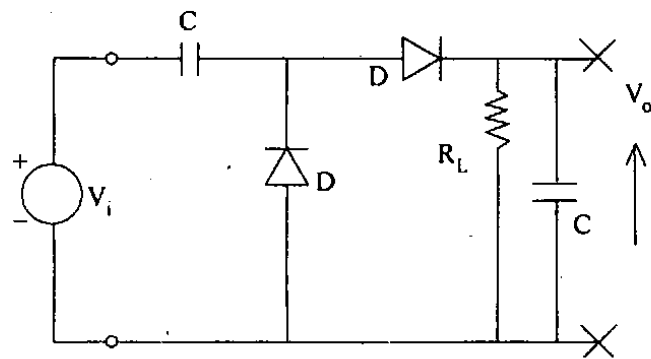
61. Given  $X(z) = \frac{1}{1-az^{-1}}$   $|z| > |a|$  then the region of convergence is (Shaded region) :



62. A 'DMA' transfer implies :

- (a) Direct transfer of data between memory and accumulator
- (b) Direct transfer of data between memory and I/O devices without the use of  $\mu P$
- (c) Transfer of data exclusively within  $\mu P$  registers
- (d) A fast transfer of data between  $\mu P$  and I/O devices

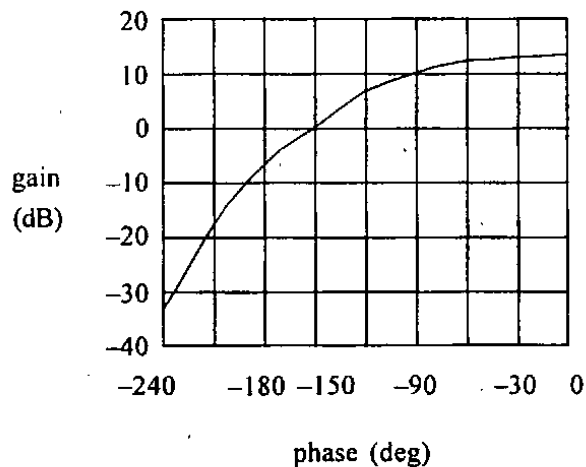
63.



Consider the above circuit, for  $V_i = V_m \sin \omega t$ , the output voltage  $V_o$  for  $R_L \rightarrow \infty$  will be :

- (a) Zero
- (b)  $V_m$
- (c)  $2 V_m$
- (d)  $-V_m$

64.



For the Nichols plot shown, the system is :

- (a) Unstable
- (b) Stable
- (c) Overdamped
- (d) Critically stable

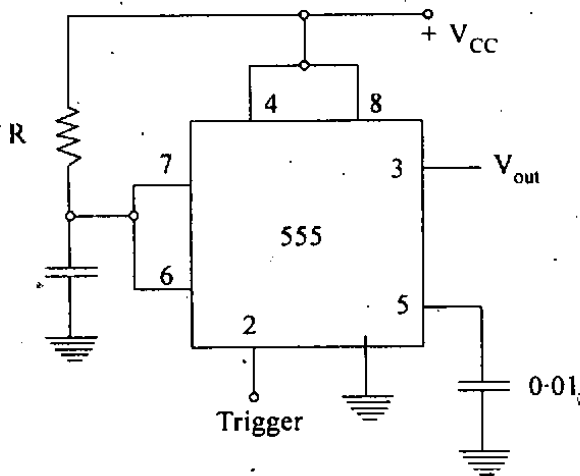
65. The 8085 has two registers known as primary data pointers. These are registers :

- (a) B and C
- (b) D and E
- (c) H and L
- (d) C and D

66. The correct statement is :

- (a) PROM contains a programmable AND array and a fixed OR array
- (b) PLA contains a fixed AND array and a programmable OR array
- (c) PROM contains a fixed AND array and a programmable OR array
- (d) PLA contains a programmable AND array and a fixed OR array

67.



The circuit shown above is a :

- (a) Bi-stable multi-vibrator
- (b) Mono-stable multi-vibrator
- (c) Free running multi-vibrator
- (d) Ramp generator

68. Consider the following statements :

1. A multiplexer is analogous to a rotary switch.
2. A decoder is a combinational logic circuit that converts binary information from 'n' input lines to a maximum of  $2^n$  distinct elements at the output.
3. The Boolean expression for the output difference 'D' from a full subtractor is exactly the same as the output sum 'S' from a full adder.

Which of the above statements is/are correct ?

- (a) 2 and 4 only
- (b) 4 only
- (c) 1 and 3 only
- (d) 1, 2 and 3

69. A ship to ship communication system is affected by fading. A useful solution which can be used is :

- (a) A more directional antenna
- (b) A broadband antenna
- (c) Use of frequency diversity
- (d) Use of space diversity

70. The impulse response  $h[n]$  of an LTI system is

$$h[n] = u[n + 3] + u[n - 2] - 2u[n - 7].$$

Then the system is :

1. Stable
2. Casual
3. Unstable
4. Not casual.

Which of these are correct ?

- (a) 1 and 2 only
- (b) 2 and 3 only
- (c) 3 and 4 only
- (d) 1 and 4 only

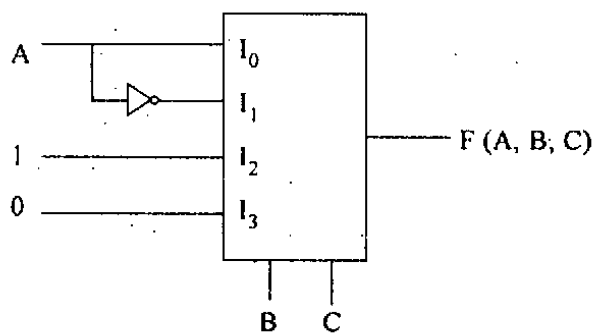
71. For the experimental study of small microwave antennas, a free space environment with minimum interference by external objects, the facilities required are :

- (a) RF screens, VSWR meter, waveguide twist
- (b) UHF screens, slotted waveguides, power meter
- (c) Anechoic chamber, Network analyzer, Pattern recorder
- (d) Dark room facility, Digital recorder, Bolometer

72. READY signal in 8085 is useful when the CPU communicates with :

- (a) A slow peripheral device
- (b) A fast peripheral device
- (c) A DMA controller chip
- (d) A PPI chip

73.



A 4×1 MUX is used to implement a 3-input Boolean function is as shown above. The Boolean function  $F(A, B, C)$  implemented is :

- (a)  $F(A, B, C) = \sum (1, 2, 4, 6)$
- (b)  $F(A, B, C) = \sum (1, 2, 6)$
- (c)  $F(A, B, C) = \sum (2, 4, 5, 6)$
- (d)  $F(A, B, C) = \sum (1, 5, 6)$

74. Population inversion in semiconductor laser diode is achieved by :

- (a) Lightly doping p and n sides
- (b) Introducing trap centres on p and n sides
- (c) Heavily doping p and n sides
- (d) Reverse biasing the junction

75. In the following 8085 program how many times (decimal) is the DCRC executed ?

LOOP : MVIC, 78 H

DCRC

JNZ LOOP

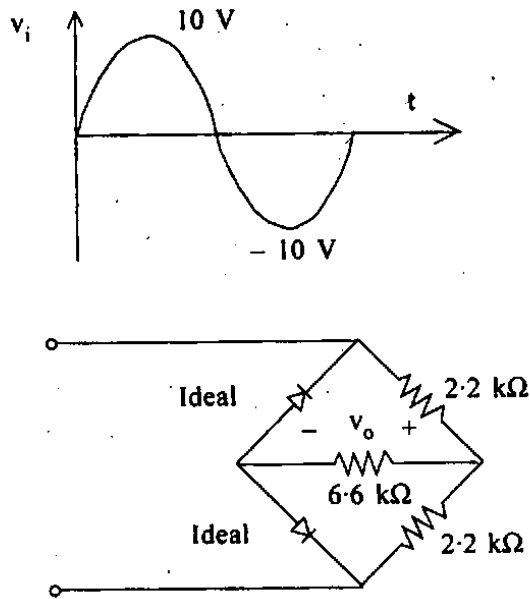
HLT

- (a) 119
- (b) 120
- (c) 78
- (d) 77

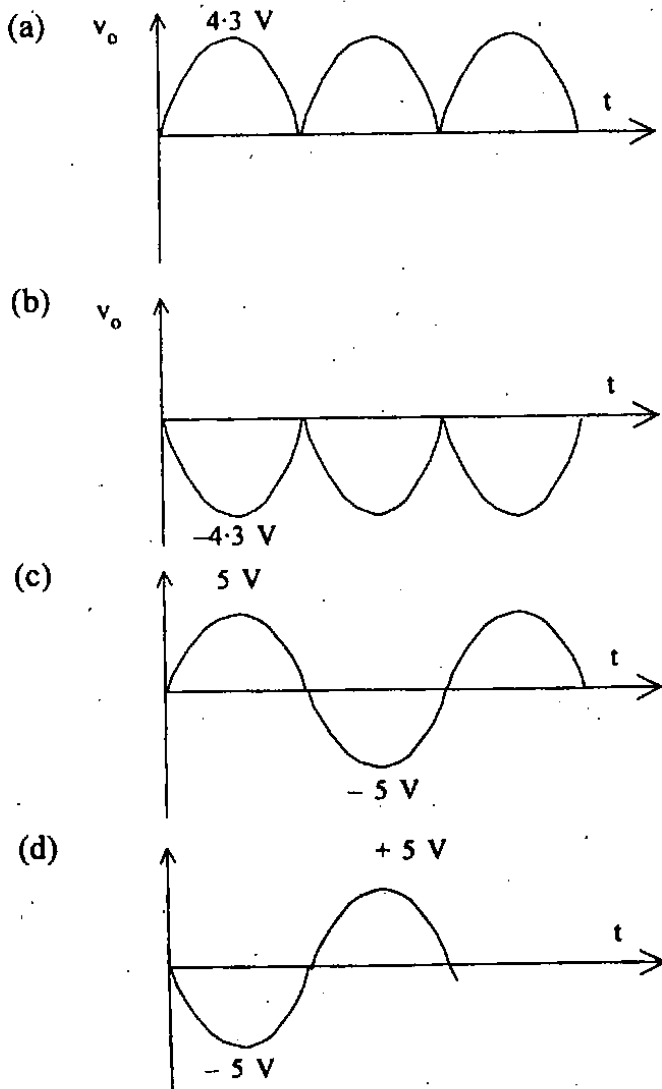
76. Processing of MOS ICs is less expensive than bipolar ICs primarily because they :

- (a) Use cheaper components
- (b) Need no component isolation
- (c) Require much less diffusion steps
- (d) Have very high packing density

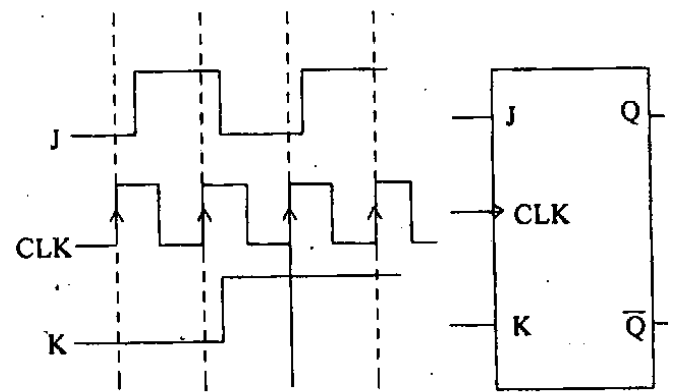
77.



The correct waveform for output ( $V_o$ ) for the above network is :



78.



The J-K flip-flop shown above is initially reset, so that  $Q = 0$ . If a sequence of four clock pulses is then applied, with the J and K inputs as given in the figure, the resulting sequence of values that appear at the output Q starting with its initial state, is given by :

- (a) 01011
- (b) 01010
- (c) 00110
- (d) 00101

79. A single instruction to clear the lower four bits of the accumulator in 8085 assembly language is :

- (a) XRI 0FH
- (b) ANI F0H
- (c) XRI F0H
- (d) ANI 0FH

80.

X	Y	$Q_{n+1}$
0	0	1
0	1	$Q_n$
1	0	$\overline{Q_n}$
1	1	0

An X-Y flip flop, whose characteristic table is given above is to be implemented using J-K flip flop. This can be done by making :

- (a)  $J = X, K = \overline{Y}$
- (b)  $J = \overline{X}, K = Y$
- (c)  $J = Y, K = \overline{X}$
- (d)  $J = \overline{Y}, K = X$

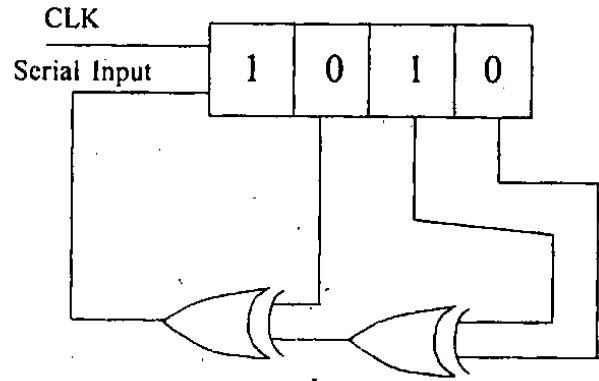
81. The Z-transform of  $-u(-n-1)$  is :

- (a)  $\frac{Z}{Z-1}$  with  $|Z| > 1$
- (b)  $\frac{Z}{Z-1}$  with  $0 < |Z| < 1$
- (c)  $\frac{Z}{Z-1}$  with  $|Z| = 1$
- (d)  $\frac{Z}{Z-1}$  with  $|Z| = 0$

82. The interface chip used for data transmission between 8086 and a 16 bit ADC is :

- (a) 8251
- (b) 8253
- (c) 8255
- (d) 8259

83.



The shift register shown in the given figure is initially loaded with the bit pattern 1010. Subsequently the shift register is clocked, and with each clock pulse the pattern gets shifted by one bit position to the right. With each shift, the bit at the serial input is pushed to the msb position. After how many clock pulses will the content of the shift register become 1010 again ?

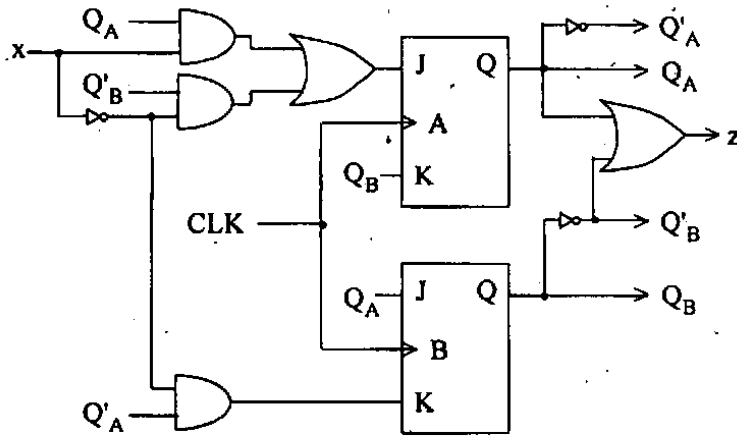
- (a) 3
- (b) 7
- (c) 11
- (d) 15

84. A microprocessor based system can perform many different functions, because :

- (a) Its operation is controlled by software
- (b) It is digital system
- (c) It uses a RAM
- (d) It can be controlled by input and output devices



85.



Analyze the sequential circuit shown above in figure. Assuming that initial state is 00, determine what input sequence would lead to state 11 ?

- (a) 1 - 1
- (b) 1 - 0
- (c) 0 - 0
- (d) State 11 is unreachable

86. Which of the following instructions copies a byte of data into the accumulator from the memory address given in the instruction ?

- (a) LDA address
- (b) LDAX B
- (c) LHLD address
- (d) STA address

87. The magnitude and phase of the transfer

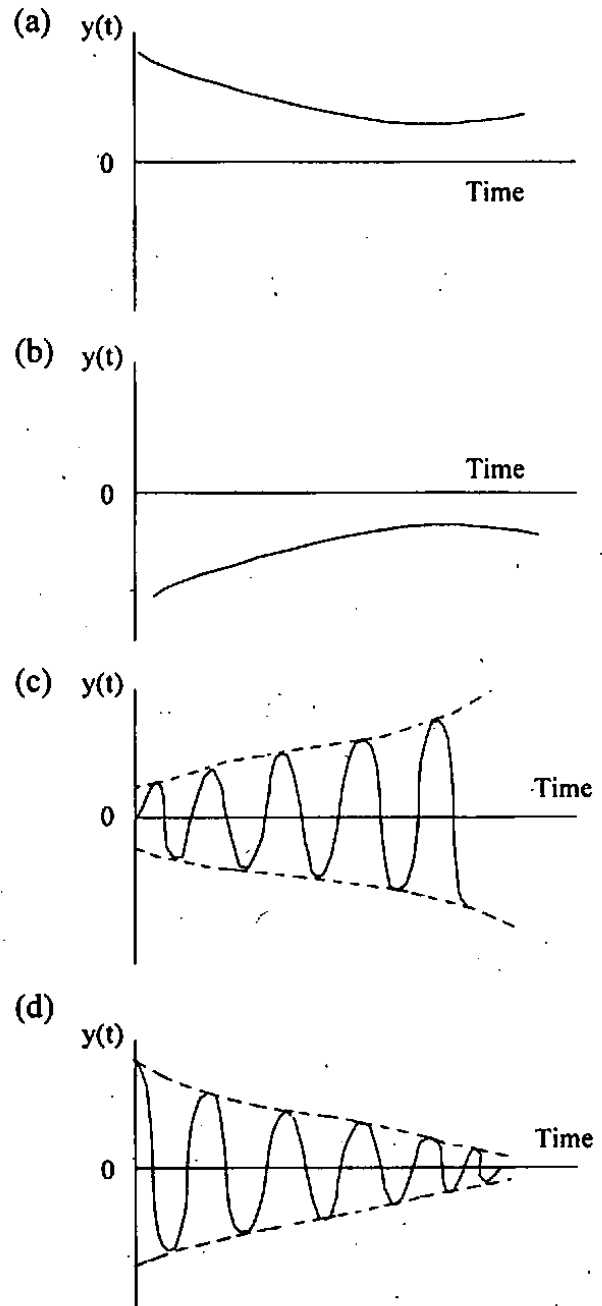
function  $G(s) = \frac{1}{s+1}$  at  $\omega = 1$  is :

- (a) 0.707 and  $45^\circ$
- (b) -3 dB and 0.78 rad
- (c) 0.707 and  $-45^\circ$
- (d) 3 dB and  $-90^\circ$

88. In a typical satellite communication system, which of the following could be the up-link and down-link frequencies respectively ?

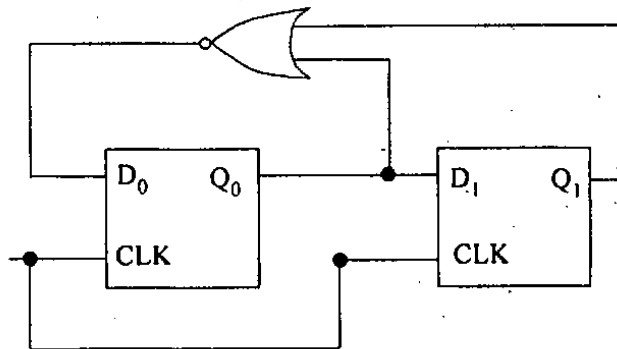
- (a) 40 GHz and 60 GHz
- (b) 60 GHz and 40 GHz
- (c) 6 GHz and 4 GHz
- (d) 4 GHz and 6 GHz

89. Which of the following is the response of a spring-mass-damper with under-damping ?



90. The output data lines of microprocessors and memories are usually tristated, because :
- More than one device can transmit information over the data bus by enabling only one device at a time
  - More than one device can transmit information over the data bus at the same time
  - The data lines can be multiplexed for both input and output
  - It increases the speed of data transfers over the data bus

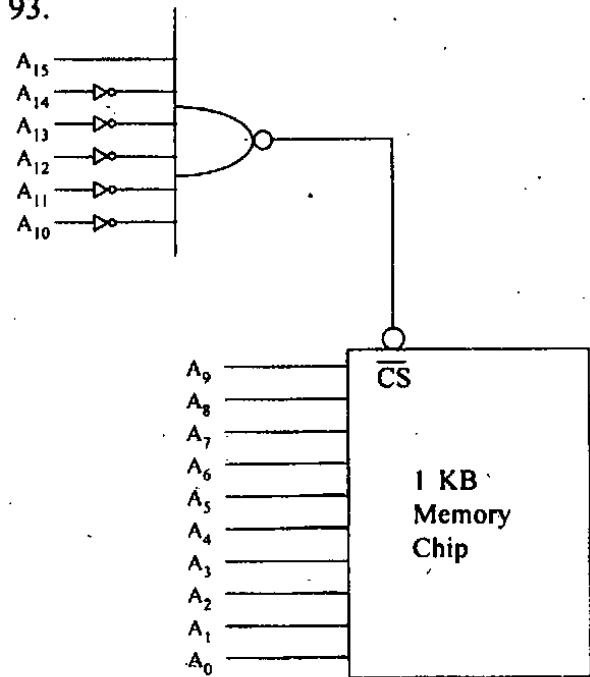
91.



For the circuit shown, the counter state ( $Q_1, Q_0$ ) follows the sequence :

- 00, 01, 10, 11, 00 ....
  - 00, 01, 10, 00, 01 ....
  - 00, 01, 11, 00, 01 ....
  - 00, 10, 11, 00, 10 ....
92. From the point of view of stability and response speed of a closed loop system, the appropriate range for the value of damping ratio lies between :
- 0 to 0.2
  - 0.4 to 0.7
  - 0.8 to 1.0
  - 1.1 to 1.5

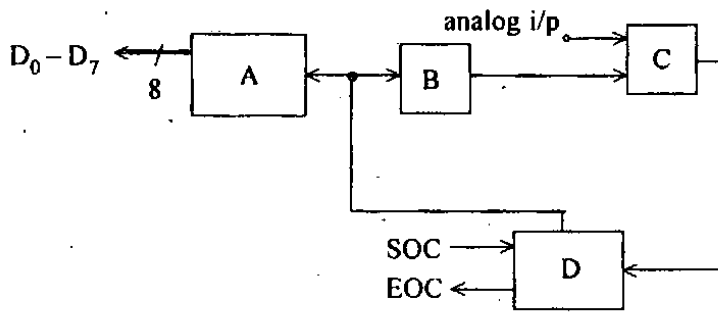
93.



Consider a memory chip with 1024 bytes storage connected to a 8085 chip address lines (or any microprocessor with 16 address lines) as above. What is the range of memory address ?

- 0000 H to 03 FFH
  - 1000 H to 13 FFH
  - F000 H to F3 FFH
  - 0000 H to FFFFH
94. The output stage of a transponder onboard a satellite has a maximum power output of 10 watts. However, it is not operated at the maximum power output in order to :
- Conserve the available limited battery power
  - Reduce noise due to devices
  - Avoid intermodulation distortion
  - Avoid heating up of the satellite beyond a pre set value
95. The purpose of a start bit in RS232 serial communication protocol is :
- To synchronize receiver for receiving every byte
  - To synchronize receiver for receiving a sequence of bytes
  - As a parity bit
  - To synchronize receiver for receiving the last byte

96.



Consider the above block diagram of a successive approximation A/D converter. Match List-I with List-II and select the correct answer using the code given below the lists :

<i>List-I</i> (Block)	<i>List-II</i> (Name)
A.	1. Comparator
B.	2. D/A converter
C.	3. Successive approximations register
D.	4. Output port

Code :

	A	B	C	D
(a)	4	1	2	3
(b)	3	1	2	4
(c)	4	2	1	3
(d)	3	2	1	4

97. The transfer function  $G(s) = \frac{10}{(3s+1)}$  has a

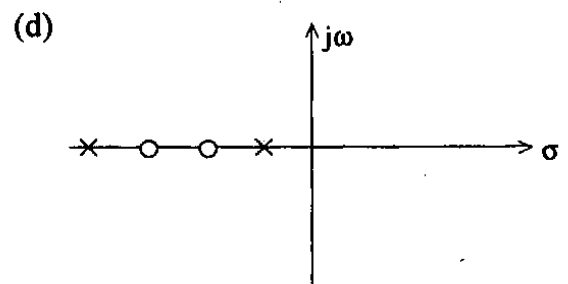
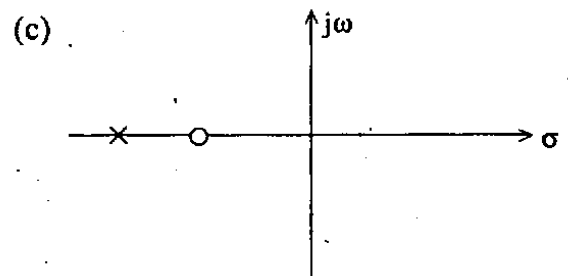
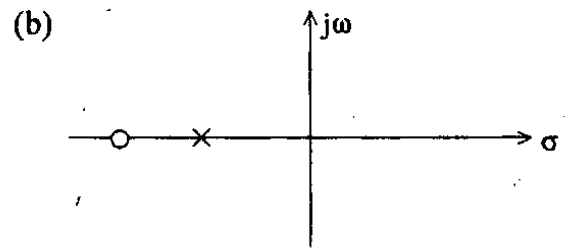
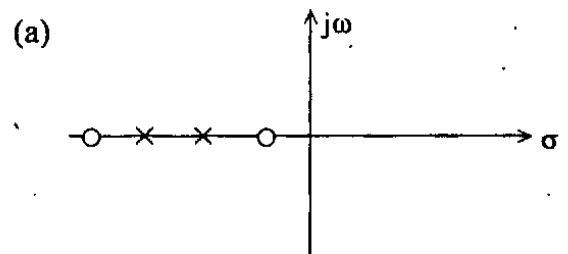
corner frequency at :

- (a) 3 rad /s
- (b) 0.33 rad /s
- (c) 1 rad /s
- (d) 30 rad /s

98. A 10 bit A/D converter is used to digitize an analog signal in the 0 to 5 V range. The maximum peak to peak ripple voltage that can be allowed in the DC supply voltage is, nearly :

- (a) 100 mV
- (b) 50 mV
- (c) 25 mV
- (d) 5.0 mV

99. Which one of the following represents the pole-zero location in the s-plane for lead-compensator ?



100. Consider the following applications :

1. Wind tunnel simulation
2. Real-time video viewing

A computer is used for :

- (a) Neither 1 nor 2
- (b) Both 1 and 2
- (c) 1 only
- (d) 2 only

**Directions :—**

Each of the next Twenty (20) items consists of two statements, one labelled as the 'Assertion (A)' and the other as 'Reason (R)'. You are to examine these two statements carefully and select the answers to these items using the codes given below :

**Codes :**

- (a) Both A and R are individually true and R is the correct explanation of A
- (b) Both A and R are individually true but R is *not* the correct explanation of A
- (c) A is true but R is false
- (d) A is false but R is true

101. Assertion (A) : The TTL NAND gate in tristate output configuration can be used for a bus arrangement with more than one gate output connected to a common line.

Reason (R) : The tristate configuration has a control input, which can detach a logic level (0/1) from coming onto the bus line.

102. Assertion (A) : Integral windup effect in controller causes excessive overshoot.

Reason (R) : Presence of saturation in controller and actuator deteriorates the PID control.

103. Assertion (A) : Steady state error can be reduced by increasing integral gain.

Reason (R) : Overshoot can be reduced by increasing derivative gain.

104. Assertion (A) : Source produces two symbols A and B with probability  $3/4$  and  $1/4$  respectively. For error free transmission this source should be coded using Shannon-Fano code.

Reason (R) : For better transmission efficiency, source and channel must be matched.

105. Assertion (A) : Frequency modulation and phase modulation both produce different set of frequency bands for the same modulation depth.

Reason (R) : Frequency modulation and phase modulation vary the carrier phase angle or its rate.

106. Assertion (A) : -In amplitude modulation systems the value of modulation index should be around 1.

Reason (R) : The power carried in the intelligence carrying sidebands increases with the modulation index.

107. Assertion (A) : When coding signals like speech signals a-law or  $\mu$ -law quantizers are used.

Reason (R) : A-law and  $\mu$ -law quantizers occupy smaller bandwidth than uniform quantizers.

108. Assertion (A) : PCM/FM systems transmit PCM pulses by modulating a high frequency carrier and hence occupy large bandwidth and eliminate distortion.

Reason (R) : Large bandwidth ensures SNR trade off and hence distortionless transmission is ensured.

109. Assertion (A) : It is not necessary to incorporate a very low noise amplifier in a communication satellite.

Reason (R) : The noise temperature of the satellite antenna is usually high, since the beam is covered by the earth.

110. Assertion (A) : A magnetron is not an amplifier, but an oscillator producing microwaves.

Reason (R) : In making their circular passes in the interaction space of a magnetron, the electrons excite the resonant cavities into oscillations.

111. Assertion (A) : The slow wave structure of a TWT is provided with an attenuator.

Reason (R) : This is done for preventing oscillations in the device.

112. Assertion (A) : Generally, magnetrons are operated in  $\pi$  modes.

Reason (R) : Frequency for  $\pi$  mode can be easily separated from adjacent modes.

113. Assertion (A) : The impedance of a matched load is equal to characteristic impedance of line.

Reason (R) : A matched termination absorbs the entire power incident on it.

114. Assertion (A) : In microwave point-to-point communication systems, parabolic reflector antennas are generally used.

Reason (R) : A parabolic reflector antenna receiver has the property of focusing all axial rays to its focus and when used as transmitter with a feed at the focus, it will generate parallel beams along the axis with a pencil beam radiation pattern.

115. Assertion (A) : A Cassegrain antenna uses a main paraboloidal reflector and a relatively small hyperboloidal sub-reflector with a small horn-feed at the vertex of the main paraboloidal reflector.

Reason (R) : The optical technique developed by William Cassegrain was used in telescope design to obtain large magnification with a physically short telescope. This configuration is found to be effective in the design of microwave antenna also.

116. Assertion (A) : In microwave communication links, intensive fading at 18 GHz band occurs due to rain-drop attenuation.

Reason (R) : Collective scattering from water droplets in the atmosphere will result in diminution of energy in the forward path and this is maximum at the 18 GHz band because the criterion for scattering are more satisfied by the wavelength dimensions at these frequencies.

117. Assertion (A) : In satellite communication technique, frequency reuse effectively doubles the bandwidth and information capacity of a satellite.

Reason (R) : Electromagnetic waves radiated from a transmitting antenna could be received by a distant receiving antenna by tuning the receiver in terms of frequency and polarization.

118. Assertion (A) : The main difference between a microprocessor and a microcontroller is that the former does not have any on-chip main memory whereas latter has.

Reason (R) : A microprocessor does not need memory to run programs.

119. Assertion (A) : Logic analyzer offers a "delayed sweep".

Reason (R) : Because the logic analyzer "sweep" is really a clock signal.

120. Assertion (A) : When you turn on your PC, a process called POST (power-on-self-test) begins with an electrical signal.

Reason (R) : The electrical signal restores left over data from the chip's internal memory register.

**SPACE FOR ROUGH WORK**

**SPACE FOR ROUGH WORK**