

SECTION - A

1. This question consists of TWENTY-FIVE sub-questions (1.1 – 1.25) of ONE mark each. For each of these sub-questions, four possible alternatives, A, B, C and D are provided. Choose the most appropriate alternative and darken its bubble on the Objective Response Sheet (ORS) against the corresponding sub-question number using a soft HB pencil. **Do not darken more than one bubble** for any sub-question. Do not use the ORS for any rough work. You may use the answer book for any rough work, if needed.
- 1.1 Consider the following statements:  
S1: The sum of two singular  $n \times n$  matrices may be non-singular  
S2: The sum of two  $n \times n$  non-singular matrices may be singular.  
Which of the following statements is correct?  
(a) S1 and S2 are both true (b) S1 is true, S2 is false  
(c) S1 is false, S2 is true (d) S1 and S2 are both false
- 1.2 Consider the following relations:  
R1 (a,b) iff (a+b) is even over the set of integers  
R2 (a,b) iff (a+b) is odd over the set of integers  
R3 (a,b) iff  $a \cdot b > 0$  over the set of non-zero rational numbers  
R4 (a,b) iff  $|a - b| \leq 2$  over the set of natural numbers  
Which of the following statements is correct?  
(a) R1 and R2 are equivalence relations, R3 and R4 are not  
(b) R1 and R3 are equivalence relations, R2 and R4 are not  
(c) R1 and R4 are equivalence relations, R2 and R3 are not  
(d) R1, R2, R3 and R4 are all equivalence relations
- 1.3 Consider two well-formed formulas in propositional logic  
F1:  $P \Rightarrow \neg P$  F2:  $(P \Rightarrow \neg P) \vee (\neg P \Rightarrow P)$   
Which of the following statements is correct?  
(a) F1 is satisfiable, F2 is valid (b) F1 unsatisfiable, F2 is satisfiable  
(c) F1 is unsatisfiable, F2 is valid (d) F1 and F2 are both satisfiable
- 1.4 consider the following two statements:  
S1:  $\{0^{2n} | n \geq 1\}$  is a regular language  
S2:  $\{0^m 1^n 0^{m+n} | m \geq 1 \text{ and } n \geq 1\}$  is a regular language  
Which of the following statements is correct?  
(a) Only S1 is correct (b) Only S2 is correct  
(c) Both S1 and S2 are correct (d) None of S1 and S2 is correct

- 1.5 Which of the following statements is true?
- (a) If a language is context free it can always be accepted by a deterministic push-down automaton
  - (b) The union of two context free languages is context free
  - (c) The intersection of two context free languages is context free
  - (d) The complement of a context free language is context free
- 1.6 Given an arbitrary non-deterministic finite automaton (NFA) with  $N$  states, the maximum number of states in an equivalent minimized DFA is at least
- (a)  $N^2$
  - (b)  $2^N$
  - (c)  $2N$
  - (d)  $N!$
- 1.7 More than one word are put in one cache block to
- (a) exploit the temporal locality of reference in a program
  - (b) exploit the spatial locality of reference in a program
  - (c) reduce the miss penalty
  - (d) none of the above
- 1.8 Which of the following statements is false?
- (a) Virtual memory implements the translation of a program's address space into physical memory address space
  - (b) Virtual memory allows each program to exceed the size of the primary memory
  - (c) Virtual memory increases the degree of multiprogramming
  - (d) Virtual memory reduces the context switching overhead
- 1.9 A low memory can be connected to 8085 by using
- (a)  $\overline{\text{INTER}}$
  - (b)  $\overline{\text{RESET IN}}$
  - (c)  $\overline{\text{HOLD}}$
  - (d)  $\overline{\text{READY}}$
- 1.10 Suppose a processor does not have any stack pointer register. Which of the following statements is true?
- (a) It cannot have subroutine call instruction
  - (b) It can have subroutine call instruction, but no nested subroutine calls
  - (c) Nested subroutine calls are possible, but interrupts are not
  - (d) All sequences of subroutine calls and also interrupts are possible

- 1.11 Given the following Karnaugh map, which one of the following represents the minimal Sum-Of-Products of the map?

	wx				
yz		00	01	11	10
00		0	X	0	X
01		X	1	X	1
11		0	X	1	0
10		0	1	X	0

- (a)  $xy + y'z$       (b)  $wx'y' + xy + xz$       (c)  $w'x + y'z + xy$       (d)  $xz + y$
- 1.12 A processor needs software interrupt to
- (a) test the interrupt system of the processor  
 (b) implement co-routines  
 (c) obtain system services which need execution of privileged instructions  
 (d) return from subroutine
- 1.13 A CPU has two modes-privileged and non-privileged. In order to change the mode from privileged to non-privileged
- (a) a hardware interrupt is needed  
 (b) a software interrupt is needed  
 (c) a privileged instruction (which does not generate an interrupt) is needed  
 (d) a non-privileged instruction (which does not generate an interrupt) is needed
- 1.14 Randomized quicksort is an extension of quicksort where the pivot is chosen randomly. What is the worst case complexity of sorting n numbers using randomized quicksort?
- (a)  $O(n)$       (b)  $O(n \log n)$       (c)  $O(n^2)$       (d)  $O(n!)$
- 1.15 Consider any array representation of an n element binary heap where the elements are stored from index 1 to index n of the array. For the element stored at index i of the array ( $i \leq n$ ), the index of the parent is
- (a)  $i-1$       (b)  $\lfloor \frac{i}{2} \rfloor$       (c)  $\lceil \frac{i}{2} \rceil$       (d)  $\frac{(i+1)}{2}$



- 1.23 Consider a schema  $R(A,B,C,D)$  and functional dependencies  $A \rightarrow B$  and  $C \rightarrow D$ . Then the decomposition of  $R$  into  $R_1(AB)$  and  $R_2(CD)$  is
- (a) dependency preserving and lossless join
  - (b) lossless join but not dependency preserving
  - (c) dependency preserving but not lossless join
  - (d) not dependency preserving and not lossless join
- 1.24 Suppose the adjacency relation of vertices in a graph is represented in a table  $Adj(X,Y)$ . Which of the following queries cannot be expressed by a relational algebra expression of constant length?
- (a) List of all vertices adjacent to a given vertex
  - (b) List all vertices which have self loops
  - (c) List all vertices which belong to cycles of less than three vertices
  - (d) List all vertices reachable from a given vertex
- 1.25 Let  $r$  and  $s$  be two relations over the relation schemes  $R$  and  $S$  respectively, and let  $A$  be an attribute in  $R$ . then the relational algebra expression  $\sigma_{A=a}(r \bowtie s)$  is always equal to
- (a)  $\sigma_{A=a}(r)$
  - (b)  $r$
  - (c)  $\sigma_{A=a}(r) \bowtie s$
  - (d) None of the above

2. This question consists of TWENTY-FIVE sub-questions (2.1 – 2.25) of TWO marks each. For each of these sub-questions, four possible alternatives, A,B, C and D are provided. Choose the most appropriate alternative and darken its bubble on the Objective Response Sheet (ORS) against the corresponding sub-question number using a soft HB pencil. **Do not darken more than one bubble** for any sub-question. Do not use the ORS for any rough work. You may use the answer book for any rough work, if needed.

- 2.1 How many 4-digit even numbers have all 4 digits distinct?
- (a) 2240                      (b) 2296                      (c) 2620                      (d) 4536
- 2.2 Consider the following statements:
- S1: There exists infinite sets  $A, B, C$  such that  $A \cap (B \cup C)$  is finite.
- S2: There exists two irrational numbers  $x$  and  $y$  such that  $(x+y)$  is rational.
- Which of the following is true about S1 and S2?
- (a) Only S1 is correct
  - (b) Only S2 is correct
  - (c) Both S1 and S2 are correct
  - (d) None of S1 and S2 is correct

- 2.3 Let  $f: A \rightarrow B$  be a function, and let  $E$  and  $F$  be subsets of  $A$ . Consider the following statements about images.

$$S1: f(E \cup F) = f(E) \cup f(F)$$

$$S2: f(E \cap F) = f(E) \cap f(F)$$

Which of the following is true about  $S1$  and  $S2$ ?

- (a) Only  $S1$  is correct  
(b) Only  $S2$  is correct  
(c) Both  $S1$  and  $S2$  are correct  
(d) None of  $S1$  and  $S2$  is correct
- 2.4 Seven (distinct) car accidents occurred in a week. What is the probability that they all occurred on the same day?

- (a)  $\frac{1}{7^7}$                       (b)  $\frac{1}{7^6}$                       (c)  $\frac{1}{2^7}$                       (d)  $\frac{7}{2^7}$

- 2.5 Consider a DFA over  $\Sigma = \{a, b\}$  accepting all strings which have number of  $a$ 's divisible by 6 and number of  $b$ 's divisible by 8. What is the minimum number of states that the DFA will have?

- (a) 8                      (b) 14                      (c) 15                      (d) 48

- 2.6 Consider the following languages:

$$L1 = \{ww \mid w \in \{a, b\}^*\}$$

$$L2 = \{ww^R \mid w \in \{a, b\}^*, w^R \text{ is the reverse of } w\}$$

$$L3 = \{0^{2i} \mid i \text{ is an integer}\}$$

$$L4 = \{0^{i^2} \mid i \text{ is an integer}\}$$

Which of the languages are regular?

- (a) Only  $L1$  and  $L2$                       (b) Only  $L2, L3$  and  $L4$   
(c) Only  $L3$  and  $L4$                       (d) Only  $L3$

- 2.7 Consider the following problem  $X$ .

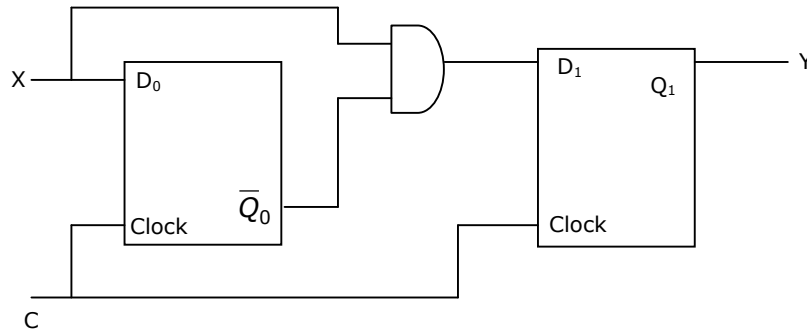
Given a Turing machine  $M$  over the input alphabet  $\Sigma$ , any state  $q$  of  $M$

And a word  $w \in \Sigma^*$ , does the computation of  $M$  on  $w$  visit the state  $q$ ?

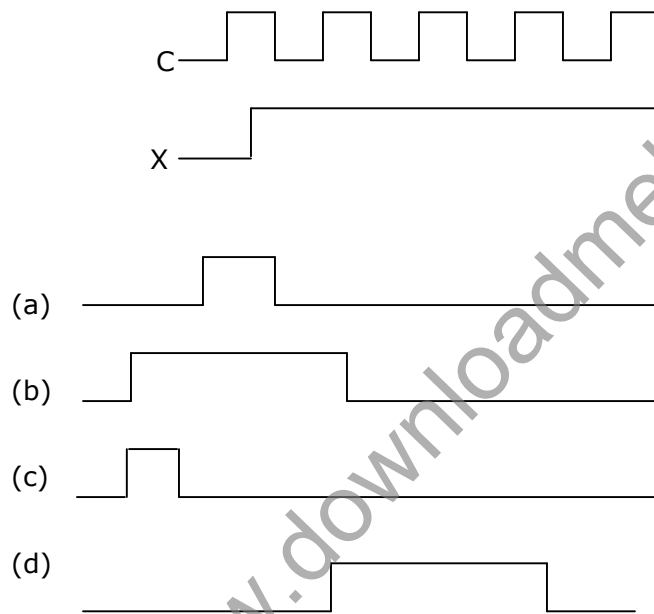
Which of the following statements about  $X$  is correct?

- (a)  $X$  is decidable  
(b)  $X$  is undecidable but partially decidable  
(c)  $X$  is undecidable and not even partially decidable  
(d)  $X$  is not a decision problem

- 2.8 Consider the following circuit with initial state  $Q_0 = Q_1 = 0$ . The D Flip-flops are positive edged triggered and have set up times 20 nanosecond and hold times 0.



Consider the following timing diagrams of X and C; the clock period of  $C \geq 40$  nanosecond. Which one is the correct plot of Y?



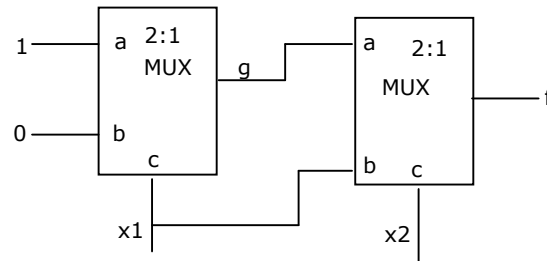
- 2.9 Which is the most appropriate match for the items in the first column with the items in the second column

X. Indirect Addressing	I. Array implementation
Y. Indexed Addressing	II. Writing re-locatable code
Z. Base Register Addressing	III. Passing array as parameter

- |                             |                             |
|-----------------------------|-----------------------------|
| (a) (X, III) (Y, I) (Z, II) | (b) (X, II) (Y, III) (Z, I) |
| (c) (X, III) (Y, II) (Z, I) | (d) (X, I) (Y, III) (Z, II) |

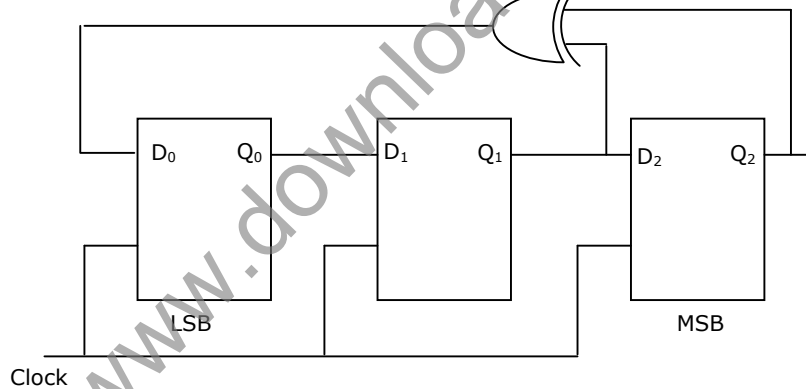
- 2.10 The 2's complement representation of  $(-539)_{10}$  is hexadecimal is  
 (a) ABE (b) DBC (c) DE5 (d) 9E7

- 2.11 Consider the circuit shown below. The output of a 2:1 Mux is given by the function  $(ac' + bc)$ .



Which of the following is true?

- (a)  $f = x1' + x2$  (b)  $f = x1'x2 + x1x2'$   
 (c)  $f = x1x2 + x1'x2'$  (d)  $f = x1 + x2'$
- 2.12 Consider the circuit given below with initial state  $Q_0 = 1, Q_1 = Q_2 = 0$ . The state of the circuit is given by the value  $4Q_2 + 2Q_1 + Q_0$

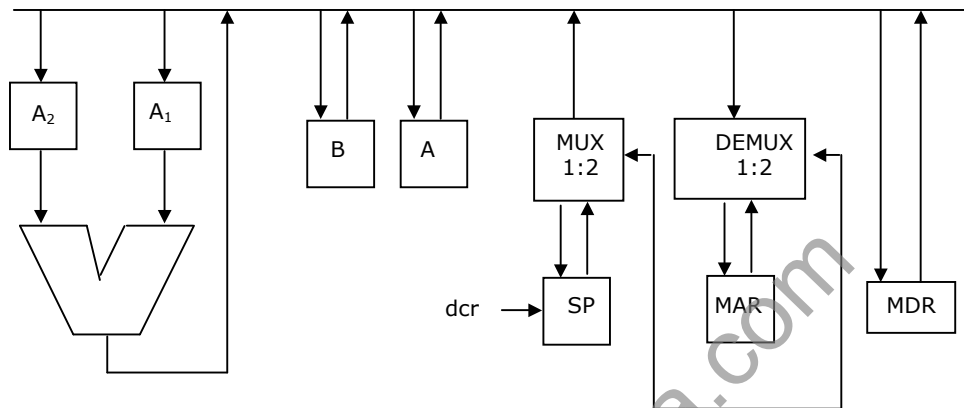


Which one of the following is the correct state sequence of the circuit?

- (a) 1,3,4,6,7,5,2 (b) 1,2,5,3,7,6,4 (c) 1,2,7,3,5,6,4 (d) 1,6,5,7,2,3,4



- 2.13 Consider the following data path of a simple non-pipelined CPU. The registers A, B, A<sub>1</sub>, A<sub>2</sub>, MDR, the bus and the ALU are 8-bit wide. SP and MAR are 16-bit registers. The MUX is of size 8 × (2:1) and the DEMUX is of size 8 × (1:2). Each memory operation takes 2 CPU clock cycles and uses MAR (Memory Address Register) and MDR (Memory Date Register). SP can be decremented locally.



The CPU instruction "push r", where r = A or B, has the specification

$$M[SP] \leftarrow r$$

$$SP \leftarrow SP - 1$$

How many CPU clock cycles are needed to execute the "push r" instruction?

- (a) 2                                      (b) 3                                      (c) 4                                      (d) 5
- 2.14 Consider an undirected unweighted graph G. Let a breadth-first traversal of G be done starting from a node r. Let d(r,u) and d(r,v) be the lengths of the shortest paths from r to u and v respectively in G. If u is visited before v during the breadth-first traversal, which of the following statements is correct?
- (a)  $d(r,u) < d(r,v)$                                       (b)  $d(r,u) > d(r,v)$   
 (c)  $d(r,u) \leq d(r,v)$                                       (d) None of the above
- 2.15 How many undirected graphs (not necessarily connected) can be constructed out of a given set  $V = \{v_1, v_2, \dots, v_n\}$  of n vertices?
- (a)  $\frac{n(n-1)}{2}$                                       (b)  $2^n$                                       (c) n!                                      (d)  $2^{\frac{n(n-1)}{2}}$
- 2.16 What is the minimum number of stacks of size n required to implement a queue of size n?
- (a) One                                      (b) Two                                      (c) Three                                      (d) Four

- 2.17 What is printed by the print statements in the program P1 assuming call by reference parameter passing?

```
Program P1()  
{  
    x=10;  
    y=3;  
    func1(y,x,x);  
    print x;  
    print y;  
}  
func1(x,y,z)  
{  
    y=y+4;  
    z=x+y+z;  
}
```

- (a) 10, 3  
(b) 31, 3  
(c) 27, 7  
(d) None of the above

- 2.18 Consider the following three C functions:

[P1]

```
int*g(void)  
{  
    intx=10;  
    return(&x);  
}
```

[P2]

```
int*g(void)  
{  
    int*px;  
    *px=10;  
    return px;  
}
```

[P3]

```
int*g(void)  
{  
    int*px  
    px =(int*)malloc (size of (int));  
    *px=10;  
    return px;  
}
```

Which of the above three functions are likely to cause problems with pointers?

- (a) Only P3
- (b) Only P1 and P3
- (c) Only P1 and P2
- (d) P1, P2 and P3

2.19 Consider the following program

```
Program P2  
var n:int;  
procedure W(var x:int)  
begin  
    x=x+1;  
    printx;  
end  
  
procedure D  
begin  
    var n:int;  
    n=3;  
    W(n);  
End  
begin  
    n = 10;  
    D;  
end  
\\begin P2
```

If the language has dynamic scoping and parameters are passed by reference, what will be printed by the program?

- (a) 10
- (b) 11
- (c) 3
- (d) None of the above

2.20 Which of the following does not interrupt a running process?

- (a) A device
- (b) Timer
- (c) Scheduler process
- (d) Power failure

2.21 Consider a machine with 64 MB physical memory and a 32-bit virtual address space. If the page size is 4KB, what is the approximate size of the page table?

- (a) 16 MB
- (b) 8 MB
- (c) 2 MB
- (d) 24 MB



- (c) A tuple  $(z,w)$  with  $w < x$  is deleted
- (d) The deletion of  $(x,y)$  is prohibited

### SECTION B

This section consists of TWENTY questions of FIVE marks each. Any FIFTEEN out of these questions have to be answered on the Answer Book provided.

3. (a) prove that powerset  $(A \cap B) = \text{powerset}(A) \cap \text{powerset}(B)$   
(b) Let  $\text{sum}(n) = 0 + 1 + 2 + \dots + n$  for all natural numbers  $n$ . give an induction proof to show that the following equation is true for all natural numbers  $m$  and  $n$ :  
$$\text{sum}(m+n) = \text{sum}(m) + \text{sum}(n) + mn$$
4. Consider the function  $h: \mathbb{N} \times \mathbb{N} \rightarrow \mathbb{N}$  so that  $h(a,b) = (2a+1)2^b - 1$ , where  $\mathbb{N} = \{0,1,2,3,\dots\}$  is the set of natural numbers.  
(a) Prove that the function  $h$  is an injection (one-one).  
(b) Prove that it is also a Subjection (onto)
5. Construct DFA's for the following languages:  
(a)  $L = \{w \mid w \in \{a,b\}^*, w \text{ has baab as a subring}\}$   
(b)  $L = \{w \mid w \in \{a,b\}^*, w \text{ has an odd number of a's and an odd number of b's}\}$
6. Give a deterministic PDA for the language  $L = \{a^n c b^{2n} \mid n \geq 1\}$  over the alphabet  $\Sigma = \{a,b,c\}$ . Specify the acceptance state.
7. Let a decision problem  $X$  be defined as follows:  
$$X: \text{ Given a Turing machine } M \text{ over } \Sigma \text{ and any word } w \in \Sigma, \text{ does } M \text{ loop forever on } w?$$

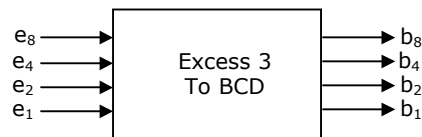
You may assume that the halting problem of Turing machine is undecidable but partially decidable.

  - (a) Show that  $X$  is undecidable.
  - (b) Show that  $X$  is not even partially decidable.

8. Consider a disk with following specifications: 20 surface, 1000 tracks/surface, 16 sectors/track, data density 1 KB/sector, rotation speed 3000 rpm. The operating system initiates the transfer between the disk and the memory sector-wise. Once the head has been placed on the right track, the disk reads a sector in a single scan. It reads bits from the sector while the head is passing over the sector. The read bits are formed into bytes in a serial-in-parallel-out buffer and each byte is then transferred to memory. The disk writing is exactly a complementary process.

For parts (c) and (d) below, assume memory read-write time = 0.1 micro-second/byte, interrupt driven transfer has an interrupt overhead = 0.4 microseconds, the DMA initialization and termination overhead is negligible compared to the total sector transfer time. DMA requests are always granted.

- (a) What is the total capacity of the disk?
  - (b) What is the data transfer rate?
  - (c) What is the percentage of time the CPU is required for this disk I/O for byte-wise interrupts driven transfer?
  - (d) What is the maximum percentage of time the CPU is held up for this disk I/O for cycle-stealing DMA transfer?
9. A CPU has 32-bit memory address and a 256 KB cache memory. The cache is organized as a 4-way set associative cache with cache block size of 16 bytes.
- (a) What is the number of sets in the cache?
  - (b) What is the size (in bits) of the tag field per cache block?
  - (c) What is the number and size of comparators required for tag matching?
  - (d) How many address bits are required to find the byte offset within a cache block?
  - (e) What is the total amount of extra memory (in bytes) required for the tag bits?
10. (a) Is the 3-variable function  $f = \sum (0,1,2,4)$  its self-dual? Justify your answer.
- (b) Give a minimal product-of-sum form of the b output of the following excess-3 to BCD converter.



11. A sequential circuit takes an input stream of 0's and 1's and produces an output stream of 0's and 1's. Initially it replicates the input on its output until two consecutive 0's are encountered on the input. From then onward, it produces an output stream, which is the bit-wise complement of input stream until it encounters two consecutive 1's, whereupon the process repeats. An example of input and output stream is shown below.

The input stream: 101100|01001011 0|11  
The desired output: 101100|10110100 0|11

J-K master-slave flip-flops are to be used to design the circuit.

- (a) Give the state transition diagram.
- (b) Give the minimized sum-of-product expression for J and K inputs of one of its state flip-flops.

12. Consider a 5-stage pipeline – IF (Instruction Fetch), ID (Instruction Decode and register read), EX (Execute), MEM (memory), and WB (Write Back). All (memory or register) reads take place in the second phase of a clock cycle and writes occur in the first phase of the clock cycle. Consider the execution of the following instruction sequence:

```
11:          sub r2, r3, r4;          /* r2 ← r3 – r4      */
12:          sub r4, r2, r3;          /* r4 ← r2 – r3      */
13:          sw  r2, 100(r1)          /* M[r1+100]← r2    */
14:          sub r3, r4, r2;          /* r3 ← r4 – r2      */
```

- (a) Show all data dependencies between the four instructions.
- (b) Identify the data hazards.
- (c) Can all hazards be avoided by forwarding in this case?

13. Consider the following C program:

```
void abc(char*s)
{
    if(s[0]!='\0')return;
    abc(s+1);
    abc(s+1);
    printf("%c",s[0]);
}
main()
{ abc("123")
}
```

- (a) What will be the output of the program?
- (b) If abc(s) is called with a null-terminated string s of length n characters (not counting the null ('\0') character), how many characters will be printed by abc(s)?

14. (a) Insert the following keys one by one into a binary search tree in the order specified.

15, 32, 20, 9, 3, 25, 12, 1

Show the final binary search tree after the insertions.

- (b) Draw the binary search tree after deleting 15 from it.  
 (c) Complete the statements S1, S2 and S3 in the following function so that the function computes the depth of a binary tree rooted at t.

```

        typedef struct tnode{
            int key;
            struct tnode *left, *right;
        } *Tree;
        int depth(Tree t)
        {
            int x,y;
            if (t ==NULL) return 0;
            x=depth(t → left);
            S1: _____;
            S2: if(x>y) return _____ :
            S3: else return _____;
        }
    
```

15. Consider a weighted undirected graph with vertex set  $V = \{n1, n2, n3, n4, n5, n6\}$  and edge set  $E = \{(n1, n2, 2), (n1, n3, 8), (n1, n6, 3), (n2, n4, 4), (n2, n5, 12), (n3, n4, 7), (n4, n5, 9), (n4, n6, 4)\}$ . The third value in each tuple represents the weight of the edge specified in the tuple.
- List the edges of a minimum spanning tree of the graph.
  - How many distinct minimum spanning trees does this graph have?
  - Is the minimum among the edge weights of a minimum spanning tree unique overall possible minimum spanning trees of a graph?
  - Is the maximum among the edge weights of a minimum spanning tree unique over all possible minimum spanning trees of a graph?

16. Consider the following grammar with terminal alphabet  $\Sigma \{a, (, ), +, *\}$  and start symbol E. The production rules of the grammar are:

```

        E → aA
        E → (E)
        A → +E
        A → *E
        A → ε
    
```

- Compute the FIRST and FOLLOW sets for E and A.
- Complete the LL(1) parse table for the grammar.



17. The syntax of the repeat-until statement is given by the following grammar

$$S \rightarrow \text{repeat } S_1 \text{ until } E$$

Where E stands for expressions, S and  $S_1$  stand for statement. The non-terminals S and  $S_1$  have an attribute code that represents generated code. The non-terminal E has two attributes. The attribute code represents generated code to evaluate the expression and store its truth value in a distinct variable, and the attribute varName contains the name of the variable in which the truth value is stored? The truth-value stored in the variable is 1 if E is true, 0 if E is false.

Give a syntax-directed definition to generate three-address code for the repeat-until statement. Assume that you can call a function newlabel( ) that returns a distinct label for a statement. Use the operator '\\' to concatenate two strings and the function gen(s) to generate a line containing the string s.

18. (a) Remove left-recursion from the following grammar:

$$S \rightarrow Sa | Sb | a | b$$

- (b) Consider the following grammar:

$$S \rightarrow aSbS | bSaS | \epsilon$$

Construct all possible parse trees for the string abab. Is the grammar ambiguous?

19. Two concurrent processes P1 and P2 want to use two resources R1 and R2 in a mutually exclusive manner. Initially, R1 and R2 are free. The programs executed by the two processes are given below.

*Program for P1:*

```
S1: While (R1 is busy) do no-op;
S2: Set R1 ← busy;
S3: While (R2 is busy) do no-op;
S4: Set R2 ← busy;
S5: Use R1 and R2;
S6: Set R1 ← free;
S7: Set R2 ← free;
```

*Program for P2:*

```
Q1: While (R1 is busy) do no-op;
Q2: Set R1 ← busy;
Q3: While (R1 is busy) do no-op;
Q4: Set R1 ← busy;
Q5: Use R1 and R2;
Q6: Set R2 ← free;
Q7: Set R1 ← free;
```

- (a) Is mutual exclusion guaranteed for R1 and R2? If not, show a possible interleaving of the statements of P1 and P2 such that mutual exclusion is violated (i.e., both P1 and P2 use R1 or R2 at the same time).
- (b) Can deadlock occur in the above program? If yes, show a possible interleaving of the statements of P1 and P2 leading to deadlock.
- (c) Exchange the statements Q1 and Q3 and statements Q2 and Q4. Is mutual exclusion guaranteed now? Can deadlock occur?
20. Consider a disk with the 100 tracks numbered from 0 to 99 rotating at 3000 rpm. The number of sectors per track is 100. the time to move the head between two successive tracks is 0.2 millisecond.
- (a) Consider a set of disk requests to read data from tracks 32, 7, 45, 5 and 10. Assuming that the elevator algorithm is used to schedule disk requests, and the head is initially at track 25 moving up (towards larger track numbers), what is the total seek time for servicing the requests?
- (b) Consider an initial set of 100 arbitrary disk requests and assume that no new disk requests arrive while servicing these requests. If the head is initially at track 0 and the elevator algorithm is used to schedule disk requests, what is the worst case time to complete all the requests?
21. Consider the relation *examinee* (*regno*, *name*, *score*), where *regno* is the primary key to *score* is a real number.
- (a) Write a relational algebra using  $(\Pi, \sigma, \rho, \times)$  to find the list of names which appear more than once in *examinee*.
- (b) Write an SQL query to list the *regno* of examinees who have a score greater than the average score.
- (c) Suppose the relation *appears* (*regno*, *centr\_code*) specifies the center where an examinee appears. Write an SQL query to list the *centr\_code* having an examinee of score greater than 80.
22. We wish to construct a B<sup>+</sup> tree with fan-out (the number of pointers per node) equal to 3 for the following set of key values:
- 80, 50, 10, 70, 30, 100, 90
- Assume that the tree is initially empty and the values are added in the order given.
- (a) Show the tree after insertion of 10, after insertion of 30, and after insertion of 90. Intermediate trees need not be shown.
- (b) The key values 30 and 10 are now deleted from the tree in that order. Show the tree after each deletion.



Download ebooks at <http://www.downloadmela.com/ebooks/ebookdisplay.html>

Download Video tutorials at <http://www.downloadmela.com/videotutorials/videotutorials.html>

Download placement papers,interview questions,certification dumps and many more at <http://www.downloadmela.com/companypapers/itpapers.html>

Download Previous year papers at <http://www.downloadmela.com/previouspapers/previouspapers.html>

Download Magazines at <http://www.downloadmela.com/magazines/magazines.html>