

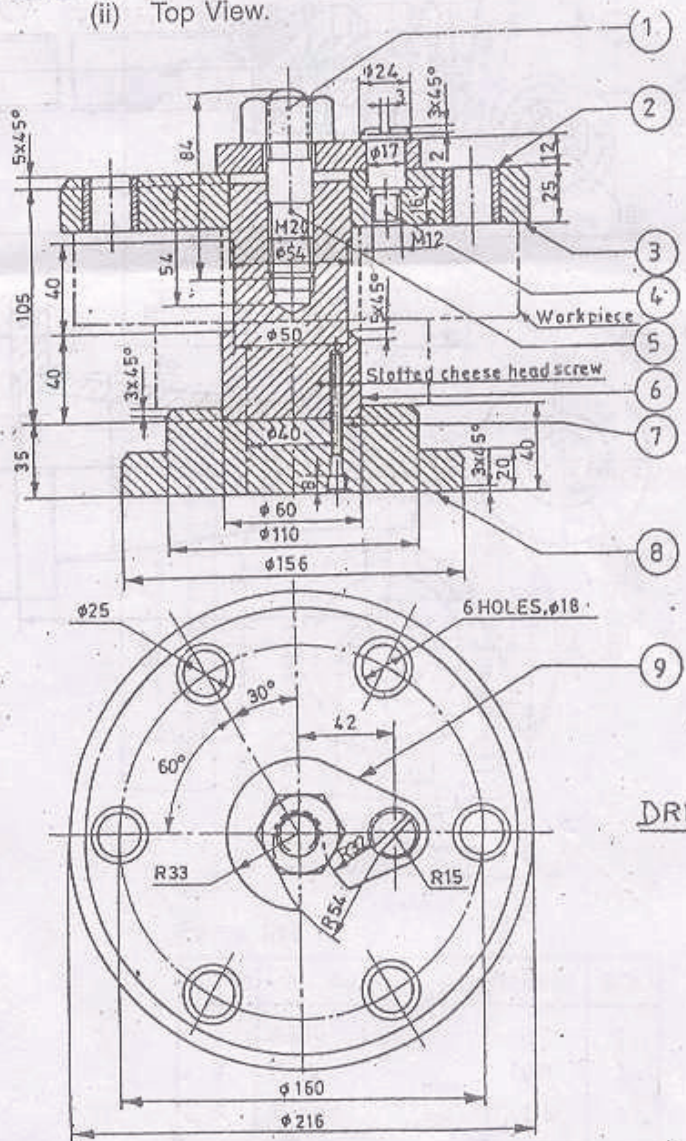
MA 20

- N.B. (1) Question No. 1 is compulsory.
 (2) Attempt any four questions from remaining.
 (3) Assume suitable dimensions wherever necessary.
 (4) Use drawing sheet only.

*Sem - III
 BEM, Machine Drawing, May '07*

1. (a) A vertical cylinder of 60 mm diameter and 100 mm long, has a square hole of 30 mm sides cut through it. The axis of the hole is horizontal, parallel to the VP and 6 mm away from the axis of the cylinder. The faces of the hole are equally inclined to both HP and VP. Draw projections of the cylinder showing hole in it. 10
- (b) A vertical cone, base 80 mm diameter, axis 100 mm long, is penetrated by a horizontal cylinder of 40 mm diameter, the axis of which is 25 mm above the base of the cone, parallel to the VP and 6 mm away from the axis of the cone. Draw the projections, showing curves of intersection. 10

2. Figure shows assembly of a drill jig. Draw the following views for :— 3
- (a) Jig plate (i) Sectional Front View 3
 (ii) Top View. 4
- (b) Base plate (i) Sectional Front View 4
 (ii) Top View. 3
- (c) Latch washer (i) Sectional Front View 3
 (ii) Top View. 3



DRILL JIG

Parts List

Part No.	Qty.	Name	Matl.	Part No.	Qty.	Name	Matl.
1	1	Nut	MS	6	1	Stem	MS
2	6	Bush	MCS	7	3	Screw	MS
3	1	Jig plate	CI	8	1	Base	CI
4	1	Screw	MS	9	1	Latch washer	MS
5	1	Stud	MS				

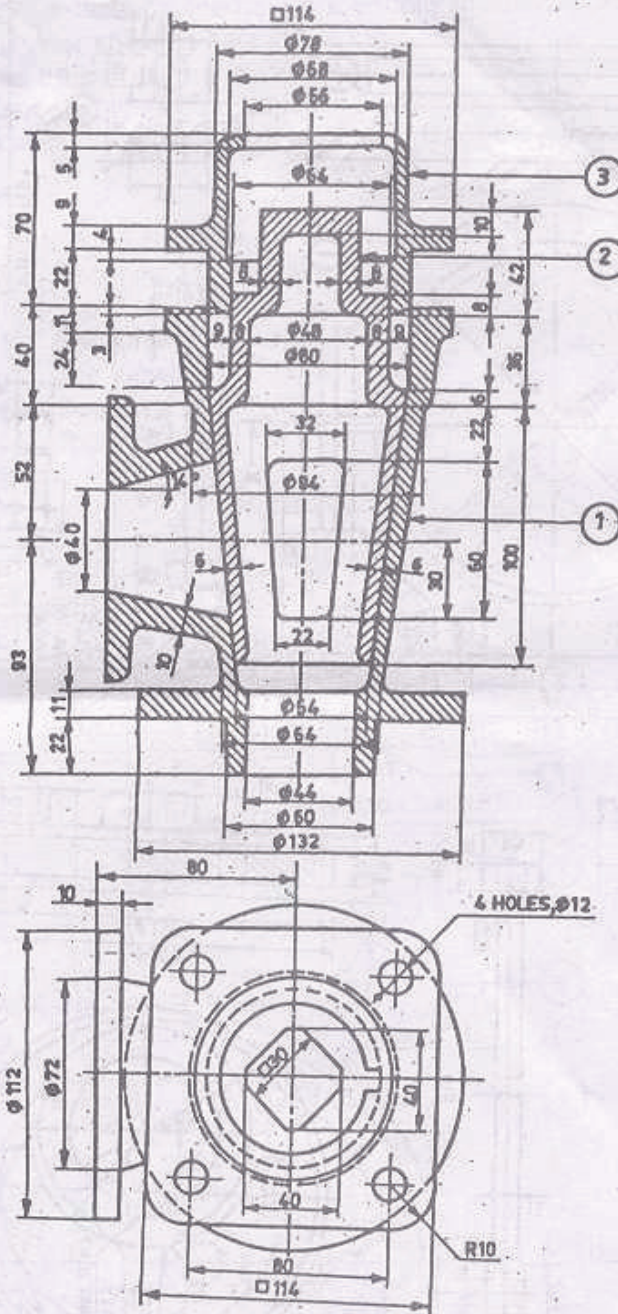
[TURN OVER

BE (M) - Sem - IB m/Arading, May '07

4. Figure shows an assembly of a blow-off cock.
Draw the following views for —

- (a) Body (i) Sectional Front View
- (b) Cock (i) Sectional Front View
- (c) Gland (i) Sectional Front View

4
4
3
3
3
3



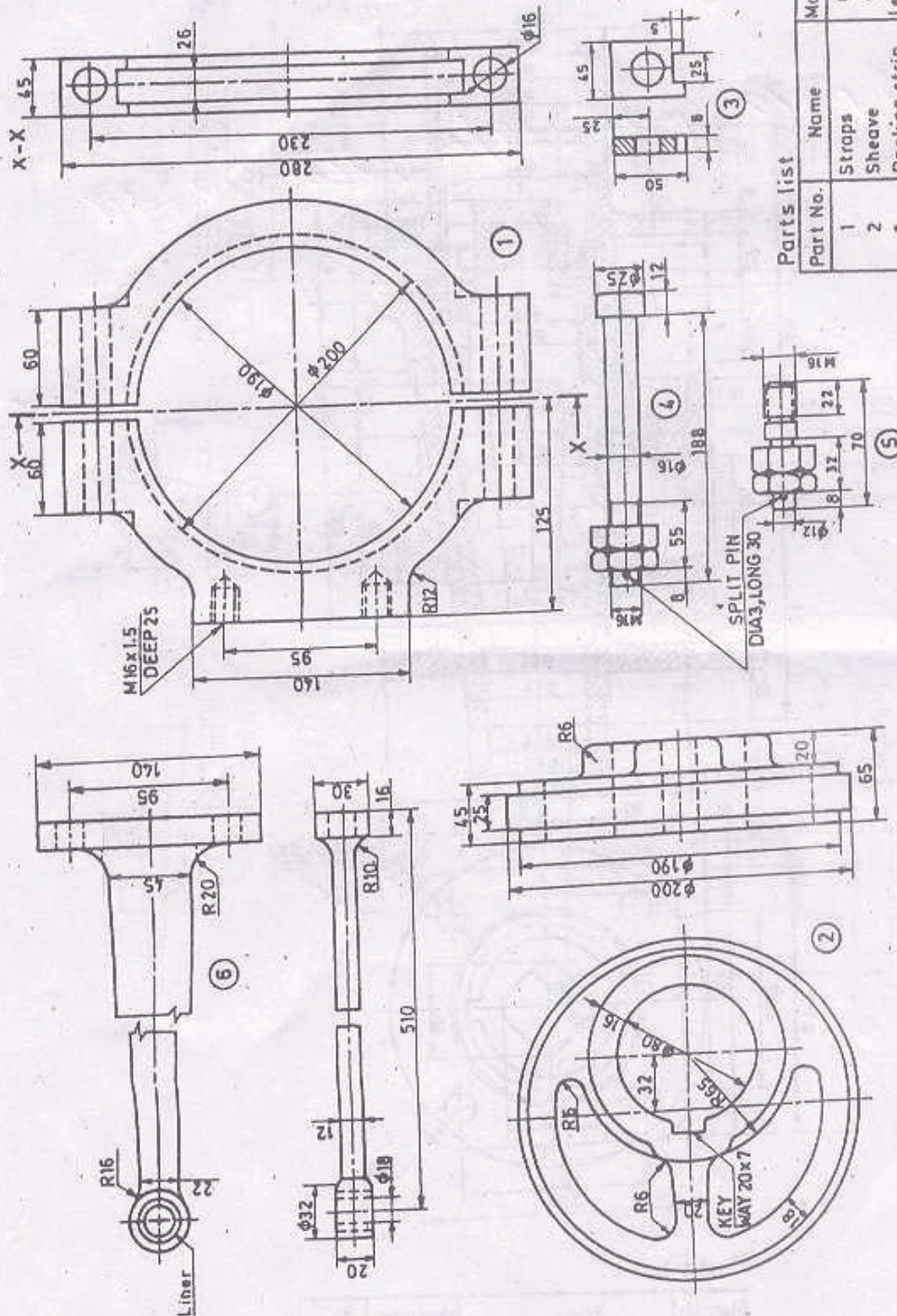
Parts list

Part No.	Name	Material	Qty.
1	Body	CS	1
2	Cock	GM	1
3	Gland	CS	1

BE (M), -III, m/reading, May 27

5. Figure shows the details of Eccentric. Draw the following views of the assembly —

- (a) Front View
- (b) Top View
- (c) Side View from right.



Parts list

Part No.	Name	Matl	Qty
1	Straps	CI	2
2	Sheave	CI	1
3	Packing strip	Leather	2
4	Strap bolt	M S	2
5	Stud with nut	M S	2
6	Eccentric rod	Forged steel	1

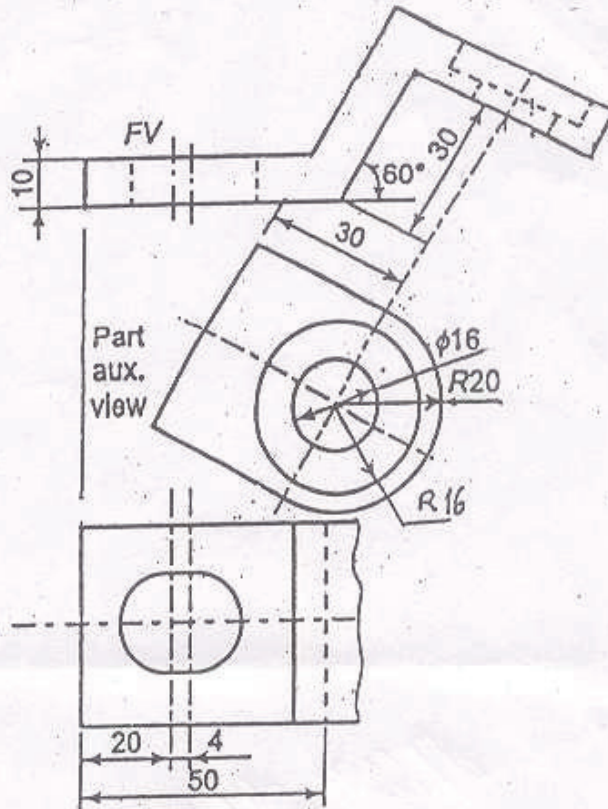
6. (a) Figure shows Front View, Auxiliary View and Partial Top View of a block.

Draw the following :-

- (i) Complete Top View
- (ii) Front View
- (iii) Side View from right.

(b) Draw two views of following :-

- (i) Flanged coupling
- (ii) Cotter and sleeve joint.



7. (a) Define tolerance, allowance and fit and its type.

- (b) Explain meaning of $\phi 50 H_7 / S_6$ of tolerance are $H_7 : + 25 \mu\text{m}$
 $00 \mu\text{m}$
 $S_6 : + 59 \mu\text{m}$
 $+ 43 \mu\text{m}$

indicate type of fit.

(c) Draw two views of fast and loose pulley assembly.

4
2
4
5
5

8
6
6