

AMIETE – ET (OLD SCHEME)

Code: AE21
Time: 3 Hours

Subject: DIGITAL COMMUNICATIONS
Max. Marks: 100

JUNE 2011

NOTE: There are 9 Questions in all.

- Question 1 is compulsory and carries 20 marks. Answer to Q.1 must be written in the space provided for it in the answer book supplied and nowhere else.
- The answer sheet for the Q.1 will be collected by the invigilator after 45 Minutes of the commencement of the examination.
- Out of the remaining EIGHT Questions answer any FIVE Questions. Each question carries 16 marks.
- Any required data not explicitly given, may be suitably assumed and stated.

Q.1 Choose the correct or the best alternative in the following: (2×10)

- a. Which of the following give the maximum probability of error
- (A) ASK (B) PSK
(C) FSK (D) DPSK
- b. In PCM quantization noise depends on
- (A) Sampling rate (B) Number of quantization level
(C) Signal power (D) None of the above
- c. For a given data rate, the bandwidth required with M-array transmission is smaller than for binary transmission by
- (A) $\log_2 M$ (B) $\log_2 M/M$
(C) $2/\log_2 M$ (D) $\log_2 M/2$
- d. Companding is used in PCM to
- (A) Reduce bandwidth (B) Reduce power
(C) Increase SNR (D) Get almost uniform SNR
- e. In a digital communication system employing FSK, the 0 and 1 bit are represented by sine waves of 10 kHz and 25 kHz respectively. These waveforms will be orthogonal over a bit interval of
- (A) 45 μsec (B) 200 μsec
(C) 50 μsec (D) 250 μsec
- f. Hamming codes can correct
- (A) Single error only. (B) Two errors only
(C) More than three errors (D) Not correct any error

- g. _____ is/are the generator polynomial of (7,4) cyclic codes.
- (A) $1+x+x^3$ (B) $1+x^2+x^3$
 (C) Both (A) and (B) (D) None of them
- h. A hopping bandwidth of W_{SS} of 400 MHz and a frequency step size of 100 Hz are specified. What is the minimum number of PN chips that are required for each frequency word?
- (A) 11 chips (B) 22 chips
 (C) 9 chips (D) 1 chip
- i. A maximal length n stage linear feedback shift register can produce a sequence with a period number greater than a
- (A) 2^n (B) 2^{n-1}
 (C) $2^n - 1$ (D) n
- j. PSD of Gaussian noise is
- (A) Impulsive (B) Rectangular
 (C) Unit step (D) Gaussian

**Answer any FIVE Questions out of EIGHT Questions.
 Each question carries 16 marks.**

- Q.2** a. Derive an expression for SNR of a PCM system for a sinusoidal input. A PCM system uses a uniform quantizer followed by a 7 bit binary encoder. The bit rate of the system is 50 Mbps. What is the maximum message bandwidth for which the system operates satisfactorily? What is the SNR for a full load sinusoidal signal? (8)
- b. Explain DM system. Also discuss the slope overload distortion and granular noise present in it. Find the signal amplitude for the maximum slope overload error in a DM system. If the step size is 1V with a repetition period of 1msec. the information signal frequency of 100 Hz. (8)
- Q.3** a. We wish to transmit the data sequence 1 1 0 1 0 0 0 1 0 1 1 0 by a binary DPSK. Let $s(t) = A \cos(2\pi f_c t + \theta)$ represent the transmitted signal in any signalling interval of duration T . Give the phase of transmitted signal for the data sequence. Begin with $\theta=0$ for the phase of the first bit to be transmitted. If the data sequence is uncorrelated, determine and sketch the power spectrum density of the signal transmitted by DPSK. (8)
- b. Compare the coherent and non-coherent modulation schemes. Draw the spectrum, constellation diagram and derive the expression of d_{\min} and probability of error for an orthogonal BFSK modulation scheme. (8)

- Q.4** a. Consider the (31, 15) Reed Solomon code.
- How many bits are there in a symbol of the code?
 - What is the block length in bits?
 - What is the minimum distance of the code?
 - How many symbols in the error can the code correct? (8)

- b. Show that, for any value of β , the raised cosine spectrum given by

$$x(t) = \text{sinc}(t/T) \frac{\cos(\pi\beta t/T)}{1 - 4\beta^2 t^2/T^2}$$

satisfies the Nyquist criterion. (8)

- Q.5** The generator matrix for a linear binary code is

$$G = \begin{bmatrix} 0 & 0 & 1 & 1 & 1 & 0 & 1 \\ 0 & 1 & 0 & 0 & 1 & 1 & 1 \\ 1 & 0 & 0 & 1 & 1 & 1 & 0 \end{bmatrix}$$

- Express G in systematic $[I|P]$ form.
- Determine the parity check matrix H for the code.
- Construct the table of syndromes for the code.
- Determine the minimum distance of the code.
- Demonstrate that the code word corresponding to the information sequence 101 is orthogonal to H . (16)

- Q.6** Write a short note on the following:

- ISI
- Duo-binary encoding and modified duo-binary encoding.
- Viterbi algorithm
- Turbo codes. (16)

- Q.7** a. A matched filter has the frequency response $H(f) = \frac{1 - e^{-j2\pi fT}}{j2\pi f}$

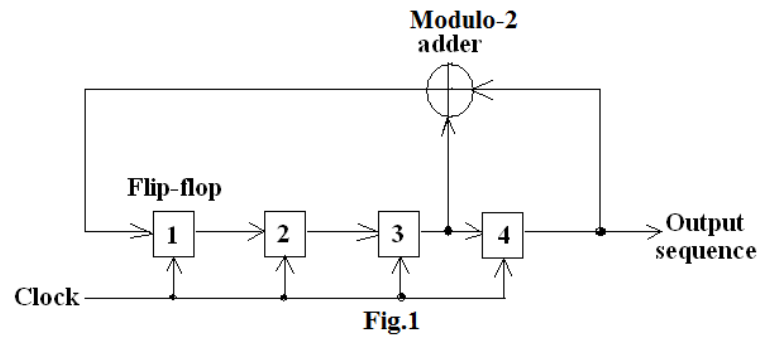
- Determine the impulse response $h(t)$ corresponding to $H(f)$
- Determine the signal waveform to which the filter characteristic is matched. (8)

- b. A speech signal is sampled at a rate of 8 kHz, logarithmically compressed and encoded into a PCM format using 8 bit/sample. The PCM data is transmitted through an AWGN baseband channel via M -level PAM. Determine the bandwidth required for transmission when
- $M=4$,
 - $M=8$,
 - $M=16$. (8)

- Q.8** a. Often times, providing more E_b/N_o will not mitigate the degradation due to ISI. Explain why this is the case. (8)

- b. Describe the difference between equalizers that use a zero-forcing solution, and those that uses a minimum mean-square error solution. (8)

- Q.9** a. Fig.1 shows a four stage feedback shift register. The initial state of register is 1000. Find the output sequence of shift register. Also, verify the run and balance property of PN sequence. (8)



- b. A CDMA system consist of 15 equal power users that transmits information at a rate of 10,000 bps, each using a DS spread spectrum signal operating at a chip rate of 1 MHz the modulation is BPSK.
- (i) Determine the E_b/N_o , where N_o is the spectral density of the combined interference.
 - (ii) What is the processing gain?
 - (iii) How much should the processing gain be increased to allow for doubling the number of users without affecting the output SNR? (8)