

B.Tech. Degree III Semester Examination, December 2006

ME 303 MACHINE DRAWING

(2002 Admissions onwards)

Time: 4 Hours

Maximum Marks: 100

*(Any missing data may suitably be assumed)
(All dimensions are in mm)*

- I Draw neat dimensioned sketches of the following types of foundation bolts having a diameter of 30mm:
- (i) Lewis type foundation bolt
 - (ii) Rag end type foundation bolt
 - (iii) Eye end type foundation bolt
- (30)
- OR**
- II a) Draw the three views of a hexagonal headed bolt of size M_{24} . The length of the bolt is 80mm and the thread length is 54 mm. (15)
- b) Sketch a knuckle joint for connecting rods of 30mm diameter. (15)
- III Figure 1 shows a disassembled isometric view of a Pin type flexible coupling. Draw the following views to 1:1 scale:
- (i) Top half sectional elevation
 - (ii) End view
- (30)
- OR**
- IV An isometric view of a Foot step bearing is shown in Figure 2. Draw the following views of the bearing.
- (i) Right half sectional elevation in the direction F
 - (ii) Top view
- (30)
- V Disassembled isometric view of a stuffing box is shown in Figure 3. Assemble the parts and draw a right half sectional elevation and a plan of the stuffing box. (40)
- OR**
- VI details of a Lathe tail stock are shown in Figure 4. Assemble the parts and draw the sectional elevation. (40)

(Turn Over)



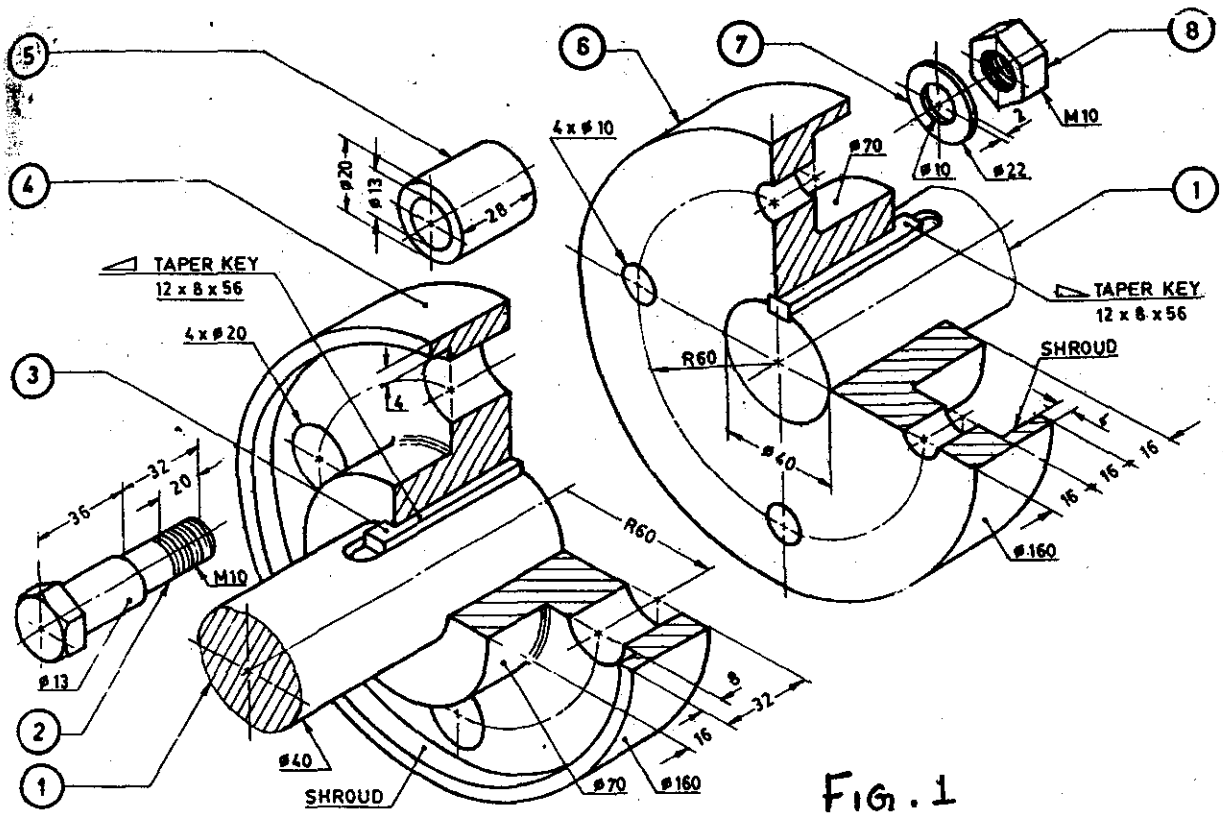


FIG. 1

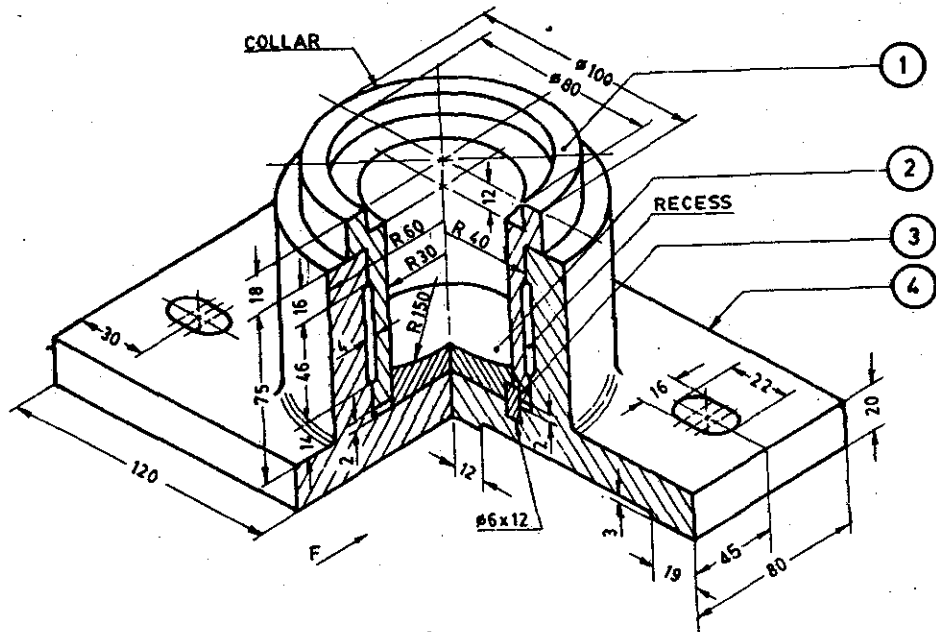


FIG. 2

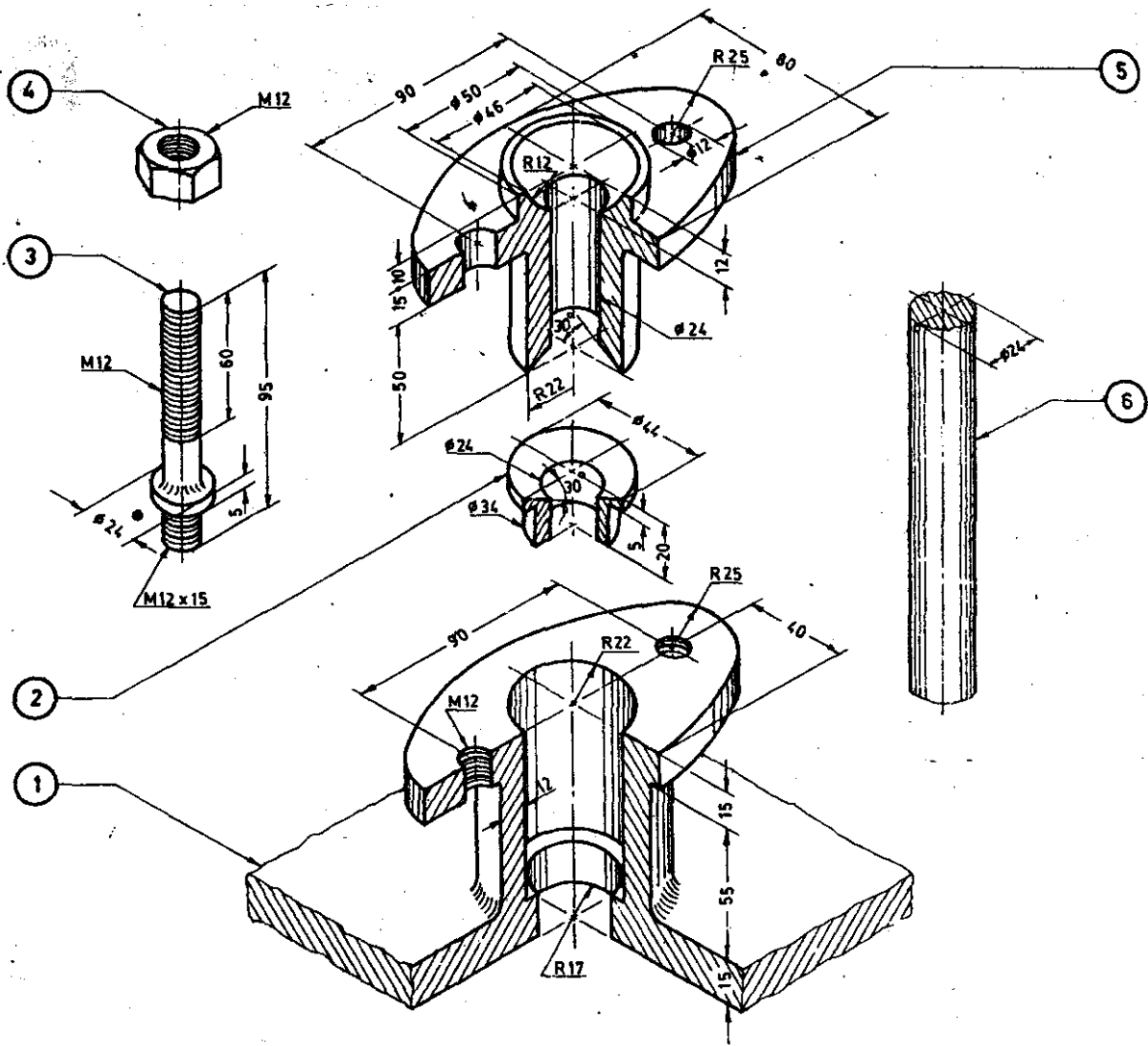


FIG. 3

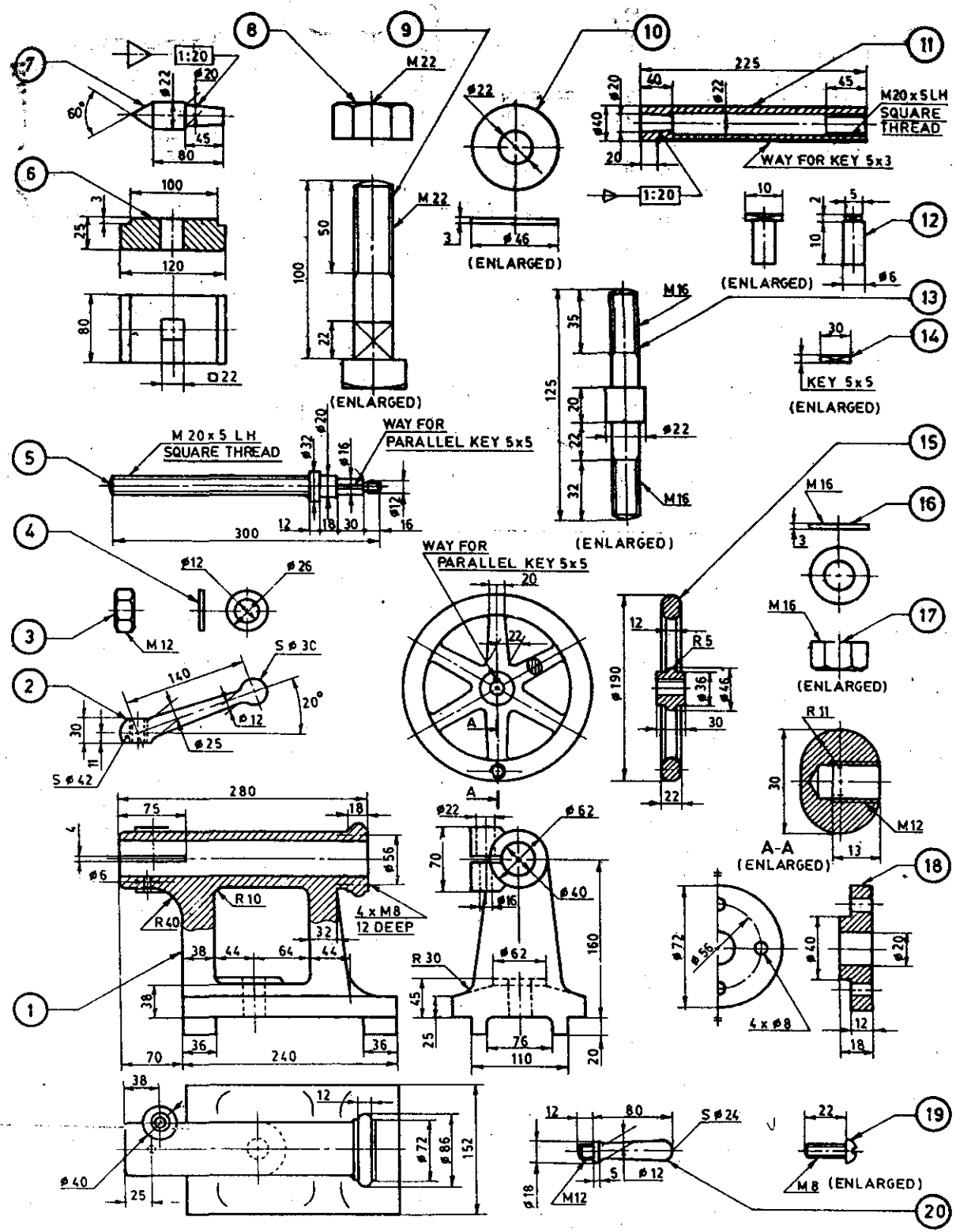


FIG. 4
