

B.Tech. Degree III Semester Examination November 2004

ME 303 MACHINE DRAWING (2002 Admissions onwards)

ME

Time: 4 Hours

Maximum Marks: 100

- I. Draw the following orthographic views to full size of a socket and spigot joint given in figure 1.
- (i) Front view bottom half in section (20)
 - (ii) Right side view (10)
- OR**
- II. Figure 2 gives the detailed drawings of a knuckle joint. Draw the following views of its assembly.
- (i) Front view - lower half in section (20)
 - (ii) Right side view (10)
- III. Draw the following views of a Union Joint for connecting two cast iron hydraulic pipes of 100mm in nominal diameter.
- (i) Front view - top half in section (20)
 - (ii) End view (10)
- OR**
- IV. Details of a plumber block is shown in figure 3. Draw the following views:
- (i) Front view- right half in section (15)
 - (ii) Left side view-full central section (15)
- V. Details of a steam step valve is given in figure 4. Draw the following views:
- (i) Front view - right half in section (30)
 - (ii) Top view (10)
- OR**
- VI. Details of a spring loaded safety valve is shown in figure 5. Draw the following views.
- (i) Front view - right half in section (30)
 - (ii) Top view (10)

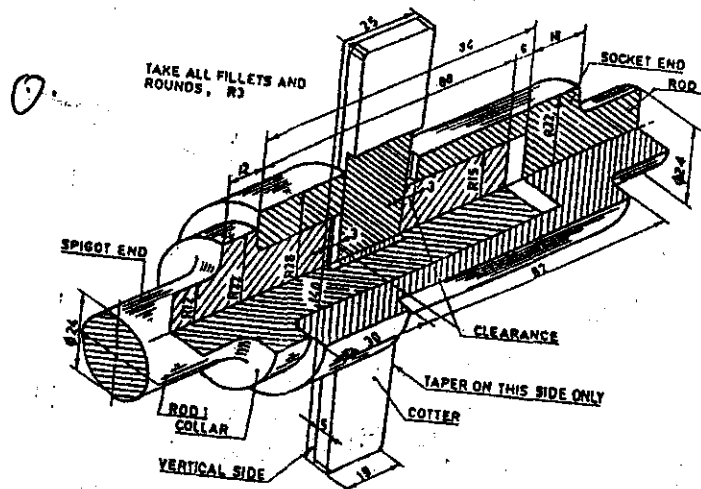


Fig. (1)



(Figures overleaf)

(Turn over)

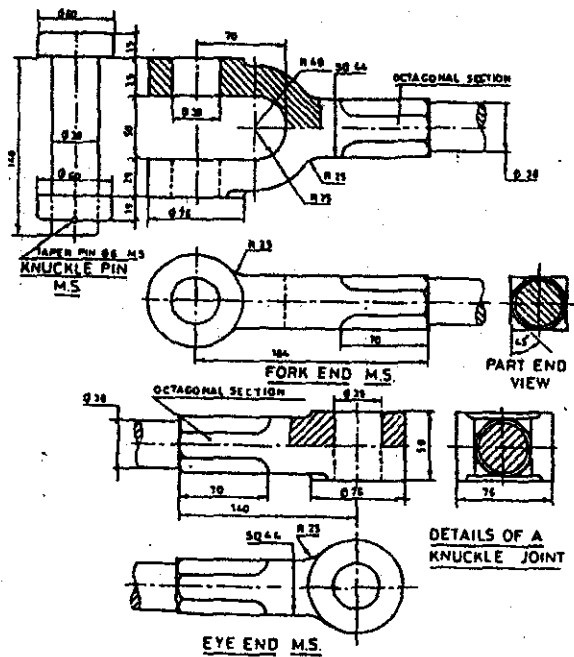


Fig. (2)

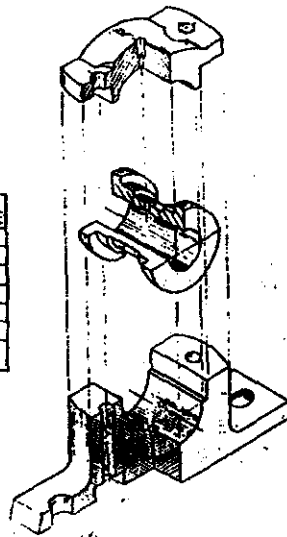
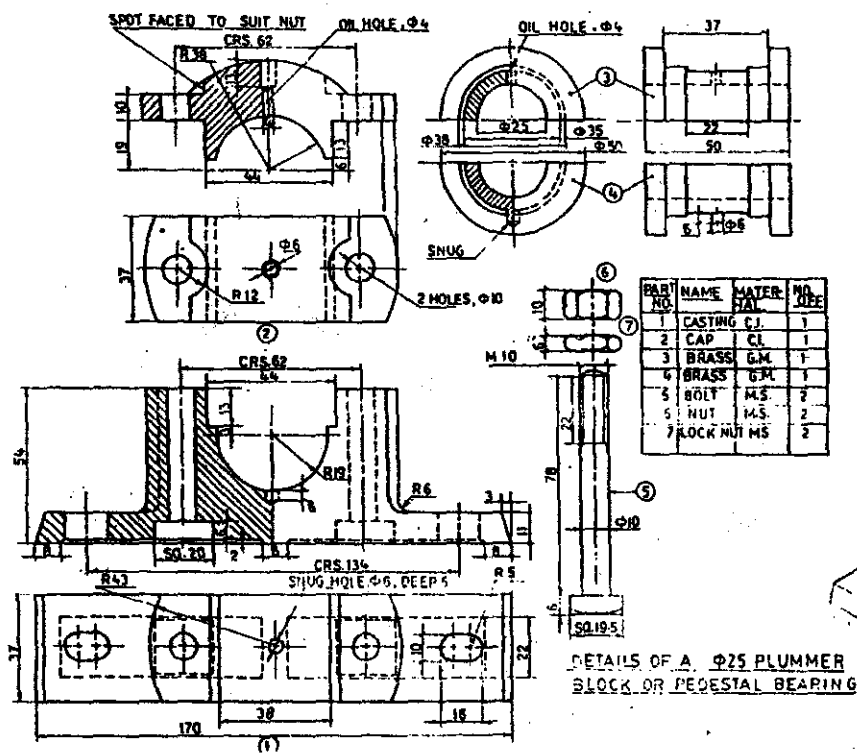


Fig. (3)

Fig. (5)

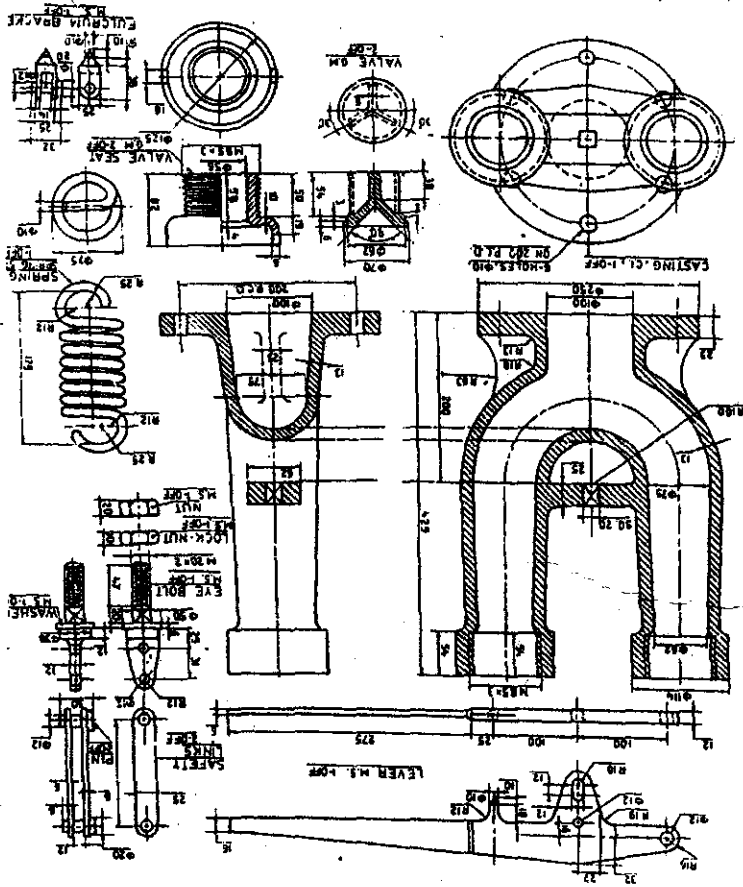


Fig. (4)

