

Subject : Math

Grade : VIII

Name : _____

Marks : 20

Date : _____

Time :

Instructions:

- Read the question paper carefully.
- Write neatly and legibly.
- Do not over write or use white ink.
- Pay special attention to spelling.
- Read the answers before submitting the answer paper.

I. Choose the correct answer for the following :

(3X1=3)

1. The rational number midway between $\frac{1}{2}$ and $\frac{3}{4}$ is -----.

- (a) $\frac{1}{3}$ (b) $\frac{2}{3}$ (c) $\frac{5}{8}$ (d) $\frac{5}{4}$

2. The standard form of 0.52 is -----.

- (a) 5.2×10^1 (b) 5.2×10^{-1} (c) 5.2 (d) 5.2×10^{-2}

3. Three angles of a quadrilateral are 50° , 90° and 110° . Then the fourth angle is -----

- (a) 90° (b) 100° (c) 110° (d) 120°

II. Do as directed: -

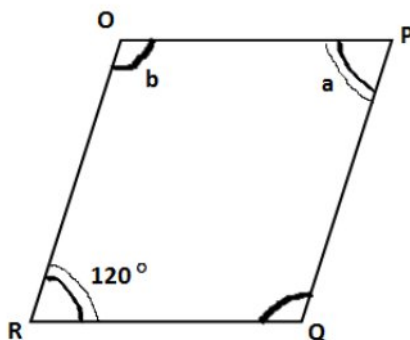
(4X2=8)

1. The sides of a rectangle are in the ratio 2:3. If the perimeter is 80cm, find its sides.

2. Find four rational numbers between $-\frac{1}{3}$ and $\frac{5}{4}$.

3. Find the value of 'p', if $\left(\frac{7}{3}\right)^{2p+4} \div \left(\frac{7}{3}\right)^5 = \left(\frac{7}{3}\right)^{p+2}$.

4. In the figure given below, OPQR is a parallelogram. Find the values of 'a' and 'b'.



Subject : Math

Grade : VIII

III. Solve the following:-

(3X3=9)

1. $\frac{2}{7}$ th of a fuel tank of a car is empty. If the total capacity of the fuel tank is $138\frac{3}{5}$ litres, find how many litres of fuel is left in the fuel tank?

2. Find the number of sides of a regular polygon if each interior angle measures 170° .

3. The mass of the Earth is 5.976×10^{24} kg and the mass of the Sun is 1.98892×10^{30} kg. Find the sum of their masses.