

**KARNATAKA EDUCATION AUTHORITY
(KEA)**

**COMMON ENTRANCE TEST
KCET 2015**

**ACTUAL QUESTION PAPER WITH ANSWER KEY
PHYSICS**

Disclaimer: This content is not created or owned by Info Edge (India) Limited

Source Link: <http://kea.kar.nic.in/phy2015.pdf>

SUBJECT : PHYSICS	DAY-2
SESSION : MORNING	TIME : 10.30 A.M. TO 11.50 A.M.

MAXIMUM MARKS	TOTAL DURATION	MAXIMUM TIME FOR ANSWERING
60	80 MINUTES	70 MINUTES

MENTION YOUR CET NUMBER	QUESTION BOOKLET DETAILS	
	VERSION CODE	SERIAL NUMBER
	A - 1	470465

DOs :

1. Check whether the CET No. has been entered and shaded in the respective circles on the OMR answer sheet.
2. This Question Booklet is issued to you by the invigilator after the **2nd Bell i.e., after 10.30 a.m.**
3. The Serial Number of this question booklet should be entered on the OMR answer sheet.
4. The Version Code of this question booklet should be entered on the OMR answer sheet and the respective circles should also be shaded completely.
5. Compulsorily sign at the bottom portion of the OMR answer sheet in the space provided.

DON'TS :

1. **THE TIMING AND MARKS PRINTED ON THE OMR ANSWER SHEET SHOULD NOT BE DAMAGED / MUTILATED / SPOILED.**
2. The **3rd Bell rings at 10.40 a.m., till then:**
 - Do not remove the paper seal present on the right hand side of this question booklet.
 - Do not look inside this question booklet.
 - Do not start answering on the OMR answer sheet.

IMPORTANT INSTRUCTIONS TO CANDIDATES

1. This question booklet contains 60 questions and each question will have one statement and four distracters. (Four different options / choices.)
2. After the **3rd Bell is rung at 10.40 a.m.,** remove the paper seal on the right hand side of this question booklet and check that this booklet does not have any unprinted or torn or missing pages or items etc., if so, get it replaced by a complete test booklet. Read each item and start answering on the OMR answer sheet.
3. During the subsequent 70 minutes:
 - Read each question carefully.
 - Choose the correct answer from out of the four available distracters (options / choices) given under each question / statement.
 - **Completely darken / shade the relevant circle with a BLUE OR BLACK INK BALL POINT PEN against the question number on the OMR answer sheet.**

Correct Method of shading the circle on the OMR answer sheet is as shown below :



4. Please note that even a minute unintended ink dot on the OMR answer sheet will also be recognised and recorded by the scanner. Therefore, avoid multiple markings of any kind on the OMR answer sheet.
5. Use the space provided on each page of the question booklet for Rough Work. Do not use the OMR answer sheet for the same.
6. After the **last bell is rung at 11.50 a.m.,** stop writing on the OMR answer sheet and affix your **LEFT HAND THUMB IMPRESSION** on the OMR answer sheet as per the instructions.
7. Hand over the **OMR ANSWER SHEET** to the room invigilator as it is.
8. After separating the top sheet (Our Copy), the invigilator will return the bottom sheet replica (Candidate's copy) to you to carry home for self-evaluation.
9. Preserve the replica of the OMR answer sheet for a minimum period of **ONE** year.

P

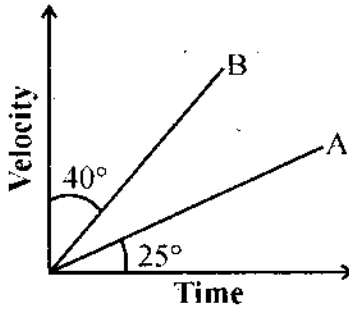


[Turn Over

1. The ratio of the dimensions of Planck constant and that of moment of inertia has the dimensions of

- (1) time (2) frequency
(3) angular momentum (4) velocity

2. The velocity – time graph for two bodies A and B are shown. Then the acceleration of A and B are in the ratio



- (1) $\tan 25^\circ$ to $\tan 40^\circ$ (2) $\tan 25^\circ$ to $\tan 50^\circ$
(3) $\sin 25^\circ$ to $\sin 50^\circ$ (4) $\cos 25^\circ$ to $\cos 50^\circ$

3. A particle is projected with a velocity v so that its horizontal range is twice the greatest height attained. The horizontal range is

- (1) $\frac{v^2}{g}$ (2) $\frac{2v^2}{3g}$
(3) $\frac{4v^2}{5g}$ (4) $\frac{v^2}{2g}$

Space For Rough Work

4. A stone of mass 0.05 kg is thrown vertically upwards. What is the direction and magnitude of net force on the stone during its upward motion ?
- (1) 0.49 N vertically upwards
 - (2) 0.49 N vertically downwards
 - (3) 0.98 N vertically downwards
 - (4) 9.8 N vertically downwards
5. The kinetic energy of a body of mass 4 kg and momentum 6 Ns will be
- (1) 2.5 J
 - (2) 3.5 J
 - (3) 4.5 J
 - (4) 5.5 J
6. The ratio of angular speed of a second-hand to the hour-hand of a watch is
- (1) 720 : 1
 - (2) 60 : 1
 - (3) 3600 : 1
 - (4) 72 : 1
7. If the mass of a body is M on the surface of the earth, the mass of the same body on the surface of the moon is
- (1) M/6
 - (2) M
 - (3) 6 M
 - (4) Zero
8. Moment of Inertia of a thin uniform rod rotating about the perpendicular axis passing through its centre is I. If the same rod is bent into a ring and its moment of inertia about its diameter is I', then the ratio $\frac{I}{I'}$ is
- (1) $3/2 \pi^2$
 - (2) $8/3 \pi^2$
 - (3) $2/3 \pi^2$
 - (4) $5/3 \pi^2$

Space For Rough Work

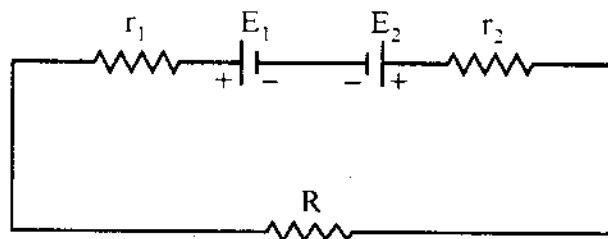
9. The ratio of hydraulic stress to the corresponding strain is known as
- (1) Compressibility (2) Bulk modulus
(3) Young's modulus (4) Rigidity modulus
10. The efficiency of a Carnot engine which operates between the two temperatures $T_1 = 500 \text{ K}$ and $T_2 = 300 \text{ K}$ is
- (1) 50% (2) 25%
(3) 75% (4) 40%
11. Water is heated from 0°C to 10°C , then its volume
- (1) decreases
(2) increases
(3) does not change
(4) first decreases and then increases
12. 1 gram of ice is mixed with 1 gram of steam. At thermal equilibrium, the temperature of the mixture is
- (1) 0°C (2) 100°C
(3) 50°C (4) 55°C
13. The ratio of kinetic energy to the potential energy of a particle executing SHM at a distance equal to half its amplitude, the distance being measured from its equilibrium position is
- (1) 3 : 1 (2) 4 : 1
(3) 2 : 1 (4) 8 : 1

Space For Rough Work

19. Three point charges 3nC , 6nC and 9nC are placed at the corners of an equilateral triangle of side 0.1 m . The potential energy of the system is
- (1) 8910 J (2) 89100 J
 (3) 9910 J (4) 99100 J
20. A spherical shell of radius 10 cm is carrying a charge q . If the electric potential at distances 5 cm , 10 cm and 15 cm from the centre of the spherical shell is V_1 , V_2 and V_3 respectively, then
- (1) $V_1 > V_2 > V_3$ (2) $V_1 < V_2 < V_3$
 (3) $V_1 = V_2 > V_3$ (4) $V_1 = V_2 < V_3$
21. A parallel plate capacitor is charged and then isolated. The effect of increasing the plate separation on charge, potential and capacitance respectively are
- (1) constant, decreases, decreases
 (2) increases, decreases, decreases
 (3) constant, decreases, increases
 (4) constant, increases, decreases
22. Four identical cells of emf E and internal resistance r are to be connected in series. Suppose if one of the cell is connected wrongly, the equivalent emf and effective internal resistance of the combination is
- (1) $4E$ and $4r$ (2) $4E$ and $2r$
 (3) $2E$ and $4r$ (4) $2E$ and $2r$
23. Three resistances 2Ω , 3Ω and 4Ω are connected in parallel. The ratio of currents passing through them when a potential difference is applied across its ends will be
- (1) $6 : 3 : 2$ (2) $6 : 4 : 3$
 (3) $5 : 4 : 3$ (4) $4 : 3 : 2$

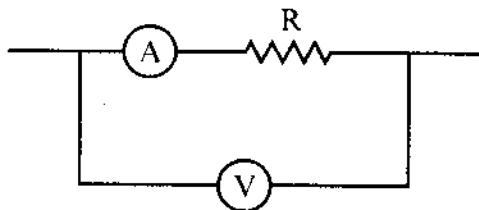
Space For Rough Work

24. Two cells of emf E_1 and E_2 are joined in opposition (such that $E_1 > E_2$). If r_1 and r_2 be the internal resistance and R be the external resistance, then the terminal potential difference is



- (1) $\frac{E_1 + E_2}{r_1 + r_2} \times R$ (2) $\frac{E_1 + E_2}{r_1 + r_2 + R} \times R$
- (3) $\frac{E_1 - E_2}{r_1 + r_2} \times R$ (4) $\frac{E_1 - E_2}{r_1 + r_2 + R} \times R$

25. In the circuit shown below, the ammeter and the voltmeter readings are 3 A and 6 V respectively. Then the value of the resistance R is



- (1) 2Ω (2) $> 2 \Omega$
- (3) $< 2 \Omega$ (4) $\geq 2 \Omega$

Space For Rough Work

26. In Wheatstones network $P = 2 \Omega$, $Q = 2 \Omega$, $R = 2 \Omega$ and $S = 3 \Omega$. The resistance with which S is to shunted in order that the bridge may be balanced is
- (1) 1Ω (2) 2Ω
(3) 4Ω (4) 6Ω
27. The resistance of the bulb filament is 100Ω at a temperature of 100°C . If its temperature co-efficient of resistance be 0.005 per $^\circ\text{C}$, its resistance will become 200Ω at a temperature
- (1) 300°C (2) 400°C
(3) 500°C (4) 200°C
28. Two concentric coils each of radius equal to 2π cm are placed right angles to each other. If 3A and 4A are the currents flowing through the two coils respectively. The magnetic induction (in Wb m^{-2}) at the centre of the coils will be
- (1) 12×10^{-5} (2) 10^{-5}
(3) 5×10^{-5} (4) 7×10^{-5}
29. A proton beam enters a magnetic field of 10^{-4}Wb m^{-2} normally. If the specific charge of the proton is 10^{11}C kg^{-1} and its velocity is 10^9ms^{-1} , then the radius of the circle described will be
- (1) 0.1m (2) 10m
(3) 100m (4) 1m

Space For Rough Work

30. A cyclotron is used to accelerate
- (1) neutron
 - (2) only positively charged particles
 - (3) only negatively charged particles
 - (4) both positively and negatively charged particles
31. A galvanometer of resistance 50Ω gives a full scale deflection for a current $5 \times 10^{-4} \text{ A}$. The resistance that should be connected in series with the galvanometer to read 3 V is
- (1) 595Ω
 - (2) 5050Ω
 - (3) 5059Ω
 - (4) 5950Ω
32. Two parallel wires 1 m apart carry currents of 1 A and 3 A respectively in opposite directions. The force per unit length acting between these two wires is
- (1) $6 \times 10^{-7} \text{ Nm}^{-1}$ repulsive
 - (2) $6 \times 10^{-7} \text{ Nm}^{-1}$ attractive
 - (3) $6 \times 10^{-5} \text{ Nm}^{-1}$ repulsive
 - (4) $6 \times 10^{-5} \text{ Nm}^{-1}$ attractive
33. If there is no torsion in the suspension thread, then the time period of a magnet executing SHM is
- (1) $T = \frac{1}{2\pi} \sqrt{\frac{MB}{I}}$
 - (2) $T = \frac{1}{2\pi} \sqrt{\frac{I}{MB}}$
 - (3) $T = 2\pi \sqrt{\frac{I}{MB}}$
 - (4) $T = 2\pi \sqrt{\frac{MB}{I}}$
34. Core of electromagnets are made of ferromagnetic material which has
- (1) high permeability and low retentivity
 - (2) high permeability and high retentivity
 - (3) low permeability and high retentivity
 - (4) low permeability and low retentivity

Space For Rough Work

35. The magnetic susceptibility of a paramagnetic material at $-73\text{ }^{\circ}\text{C}$ is 0.0075 and its value at $-173\text{ }^{\circ}\text{C}$ will be
- (1) 0.0045 (2) 0.0030
(3) 0.015 (4) 0.0075
36. Two coils have a mutual inductance 0.005 H. The current changes in the first coil according to the equation $i = i_m \sin \omega t$ where $i_m = 10\text{ A}$ and $\omega = 100\pi\text{ rad s}^{-1}$. The maximum value of the emf induced in the second coil is
- (1) 2π (2) 5π
(3) π (4) 4π
37. An aircraft with a wingspan of 40 m flies with a speed of 1080 km/hr in the eastward direction at a constant altitude in the northern hemisphere, where the vertical component of the earth's magnetic field $1.75 \times 10^{-5}\text{ T}$. Then the emf developed between the tips of the wings is
- (1) 0.5 V (2) 0.34 V
(3) 0.21 V (4) 2.1 V
38. In an LCR circuit, at resonance
- (1) the current and voltage are in phase
(2) the impedance is maximum
(3) the current is minimum
(4) the current leads the voltage by $\pi/2$
39. A transformer is used to light 100 W – 110 V lamp from 220 V mains. If the main current is 0.5 A, the efficiency of the transformer is
- (1) 90% (2) 95%
(3) 96% (4) 99%

Space For Rough Work

40. The average power dissipated in a pure inductor is

(1) $\frac{1}{2} VI$

(2) VI^2

(3) $\frac{VI^2}{4}$

(4) zero

41. If ϵ_0 and μ_0 are the permittivity and permeability of free space and ϵ and μ are the corresponding quantities for a medium, then refractive index of the medium is

(1) $\sqrt{\frac{\mu_0 \epsilon_0}{\mu \epsilon}}$

(2) $\sqrt{\frac{\mu \epsilon}{\mu_0 \epsilon_0}}$

(3) 1

(4) Insufficient information

42. A person wants a real image of his own, 3 times enlarged. Where should he stand in front of a concave mirror of radius of curvature 30 cm ?

(1) 10 cm

(2) 30 cm

(3) 90 cm

(4) 20 cm

43. Calculate the focal length of a reading glass of a person if his distance of distinct vision is 75 cm.

(1) 25.6 cm

(2) 37.5 cm

(3) 75.2 cm

(4) 100.4 cm

44. In a Young's double slit experiment the slit separation is 0.5 m from the slits. For a monochromatic light of wavelength 500 nm, the distance of 3rd maxima from 2nd minima on the other side is

(1) 2.75 mm

(2) 2.5 mm

(3) 22.5 mm

(4) 2.25 mm

Space For Rough Work

45. To observe diffraction, the size of the obstacle
- (1) has no relation to wavelength.
 - (2) should be $\lambda/2$, where λ is the wavelength.
 - (3) should be much larger than the wavelength.
 - (4) should be of the order of wavelength.
46. The polarizing angle of glass is 57° . A ray of light which is incident at this angle will have an angle of refraction as
- (1) 25°
 - (2) 33°
 - (3) 43°
 - (4) 38°
47. Light of two different frequencies whose photons have energies 1 eV and 2.5 eV respectively, successively illuminate a metallic surface whose work function is 0.5 eV. Ratio of maximum speeds of emitted electrons will be
- (1) 1 : 5
 - (2) 1 : 4
 - (3) 1 : 2
 - (4) 1 : 1
48. Find the de-Broglie wavelength of an electron with kinetic energy of 120 eV.
- (1) 95 pm
 - (2) 102 pm
 - (3) 112 pm
 - (4) 124 pm
49. An α -particle of energy 5 MeV is scattered through 180° by gold nucleus. The distance of closest approach is of the order of
- (1) 10^{-10} cm
 - (2) 10^{-12} cm
 - (3) 10^{-14} cm
 - (4) 10^{-16} cm

Space For Rough Work

50. If an electron in hydrogen atom jumps from an orbit of level $n = 3$ to an orbit of level $n = 2$, the emitted radiation has a frequency ($R = \text{Rydberg constant}$, $C = \text{velocity of light}$)
- (1) $\frac{3RC}{27}$ (2) $\frac{RC}{25}$
(3) $\frac{8RC}{9}$ (4) $\frac{5RC}{36}$
51. What is the wavelength of light for the least energetic photon emitted in the Lyman series of the hydrogen spectrum. (take $hc = 1240 \text{ eV nm}$)
- (1) 82 nm (2) 102 nm
(3) 122 nm (4) 150 nm
52. A nucleus at rest splits into two nuclear parts having radii in the ratio 1 : 2. Their velocities are in the ratio
- (1) 8 : 1 (2) 6 : 1
(3) 4 : 1 (4) 2 : 1
53. The half life of a radioactive substance is 20 minutes. The time taken between 50 % decay and 87.5 % decay of the substance will be
- (1) 30 minutes (2) 40 minutes
(3) 25 minutes (4) 10 minutes
54. A radioactive decay can form an isotope of the original nucleus with the emission of particles
- (1) one α and four β (2) one α and two β
(3) one α and one β (4) four α and one β

Space For Rough Work

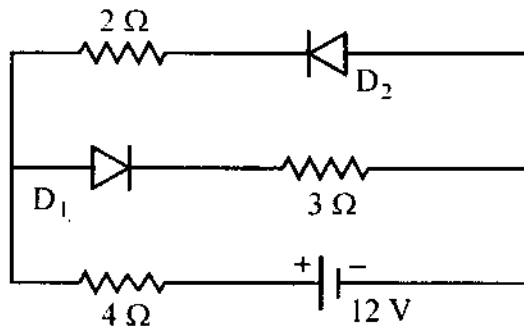
55. An LED is constructed from a pn junction based on a certain semi-conducting material whose energy gap is 1.9 eV. Then the wavelength of the emitted light is

- (1) 2.9×10^{-9} m
- (2) 1.6×10^{-8} m
- (3) 6.5×10^{-7} m
- (4) 9.1×10^{-5} m

56. Amplitude modulation has

- (1) one carrier with two side band frequencies
- (2) one carrier
- (3) one carrier with infinite frequencies
- (4) one carrier with high frequency

57. The circuit has two oppositely connected ideal diodes in parallel. What is the current flowing in the circuit ?



- (1) 1.71 A
- (2) 2.0 A
- (3) 2.31 A
- (4) 1.33 A

Space For Rough Work

58. The input characteristics of a transistor in CE mode is the graph obtained by plotting

- (1) I_B against V_{BE} at constant V_{CE}
- (2) I_B against V_{CE} at constant V_{BE}
- (3) I_B against I_C at constant V_{CE}
- (4) I_B against I_C at constant V_{BE}

59. The given truth table is for

Input		Output
A	B	Y
0	0	1
0	1	1
1	0	1
1	1	0

- (1) AND gate
- (2) OR gate
- (3) NAND gate
- (4) NOR gate

60. The waves used for line-of-sight (LOS) communication is

- (1) ground waves
- (2) space waves
- (3) sound waves
- (4) sky waves

Space For Rough Work

A-1

COMMON ENTRANCE TEST - 2015**ANSWER KEYS - PHYSICS**

Qanno	A1
1	2
2	2
3	1
4	2
5	3
6	1
7	2
8	3
9	2
10	4
11	4
12	2
13	1
14	2
15	1
16	3
17	2
18	3
19	G
20	3
21	4
22	3
23	2
24	4
25	3
26	4
27	2
28	3
29	3
30	4
31	4
32	1
33	3
34	1
35	3
36	2
37	3
38	1
39	1
40	4
41	2
42	4
43	2
44	G
45	4
46	2
47	3
48	3
49	2
50	4
51	3
52	1
53	2
54	2
55	3
56	1
57	1
58	1
59	3
60	2

Note:

1. G - Indicates One GRACE MARK Awarded for the Question Number.