

ICSE Board
Class X Mathematics
Board Paper 2019
(Two hours and a half)

Answers to this Paper must be written on the paper provided separately.

You will not be allowed to write during the first 15 minutes.

This time is to be spent in reading the question paper.

The time given at the head of this Paper is the time allowed for writing the answers.

Attempt **all** questions from **Section A** and **any four** questions from **Section B**.
All working, including rough work, must be clearly shown and must be done on the same sheet as the rest of the answer.

Omission of essential working will result in loss of marks.

The intended marks for questions or parts of questions are given in brackets [].

Mathematical tables are provided.

SECTION A (40 Marks)

Attempt **all** questions from this Section.

Question 1

- (a) Solve the following inequation and write down the solution set: [3]

$$11x - 4 < 15x + 4 \leq 13x + 14, x \in W$$

Represent the solution on a real number line.

- (b) A man invests ₹ 4500 in shares of a company which is paying 7.5% dividend. If ₹ 100 shares are available at a discount of 10%. [3]

Find:

- (i) Number of shares he purchases.
(ii) His annual income.

- (c) In class of 40 students, marks obtained by the students a class test (out of 10) are given below, [4]

Marks	1	2	3	4	5	6	7	8	9	10
Number of students	1	2	3	3	6	10	5	4	3	3

Calculate the following for the given distribution:

- (i) Median
(ii) Mode

Question 2

- (a) Using the factor theorem, show that $(x - 2)$ is a factor of $x^3 + x^2 - x^4 - 4$, Hence factorise the polynomial completely. [3]
- (b) Prove that:
 $(\operatorname{cosec} \theta - \sin \theta)(\sec \theta - \cos \theta)(\tan \theta + \cot \theta) = 1$ [3]
- (c) In an Arithmetic Progression (A.P.) the fourth and sixth terms are 8 and 14 respectively, Find the: [4]
- first term
 - common difference
 - sum of the first 20 terms

Question 3

- (a) Simplify [3]
- $$\sin A \begin{bmatrix} \sin A & -\cos A \\ \cos A & \sin A \end{bmatrix} + \cos A \begin{bmatrix} \cos A & \sin A \\ -\sin A & \cos A \end{bmatrix}$$
- (b) M and N are two points on the X axis and Y axis respectively. [3]
 P(3, 2) divides the line segment MN in the ratio 2 : 3.
 Find:
- the coordinates of M and N
 - slope of the line MN.
- (c) A solid metallic sphere of radius 6 cm is melted and made into a solid cylinder of height 32cm. Find the [4]
- radius of the cylinder
 - curved surface area of the cylinder
- Take $\pi = 3.1$**

Question 4

- (a) The following numbers, $K + 3$, $K + 2$, $3K - 7$ and $2K - 3$ are in proportion. Find K. [3]
- (b) Solve for x the quadratic equation $x^2 - 4x - 8 = 0$.
 Give your answer correct to three significant figures. [3]
- (c) Use ruler and compass only for answering this question.
 Draw a circle of radius 4 cm. Mark the centre as O. Mark a point P outside the circle at a distance of 7 cm from the centre, Construct two tangents to the circle from the external point P.
 Measure and write down the length of any one tangent. [4]

SECTION B (40 Marks)

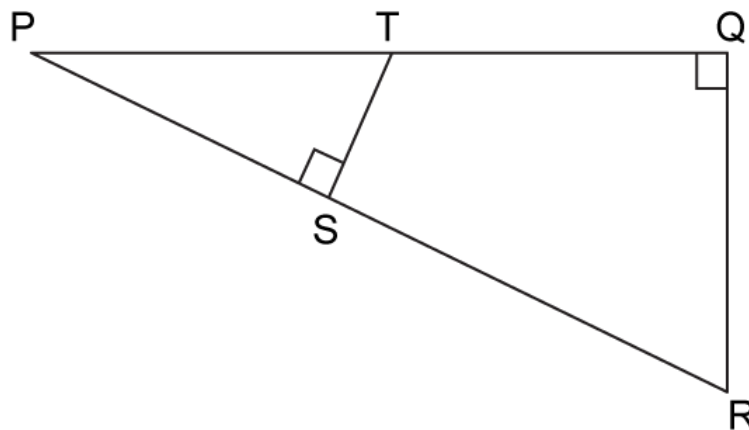
Attempt any **four** questions from this Section.

Question 5

- (a) There are 25 discs numbered 1 to 25. They are put in a closed box and shaken thoroughly. A disc is drawn at random from the box. [3]
Find the probability that the number on the disc is:
(i) an odd number
(ii) divisible by 2 and 3 both.
(iii) a number less than 16.
- (b) Rekha opened a recurring deposit account for 20 months. The rate of interest is 9% per annum and Rekha receives ₹. 441 as interest at the time of maturity. Find the amount Rekha deposited each month. [3]
- (c) Use a graph sheet for this question. [4]
Take 1 cm = 1 unit along both x and y axis.
(i) Plot the following points:
A(0,5), B(3,0), C(1,0), and D(1,-5)
(ii) Reflect the points B, C, and D on the y axis and name them as B', C' and D' respectively.
(iii) Write down the coordinates of B', C' and D'.
(iv) Join the points A, B, C, D, D', C', B', A in order and give a name to the closed figure ABCDD'C'B'.

Question 6

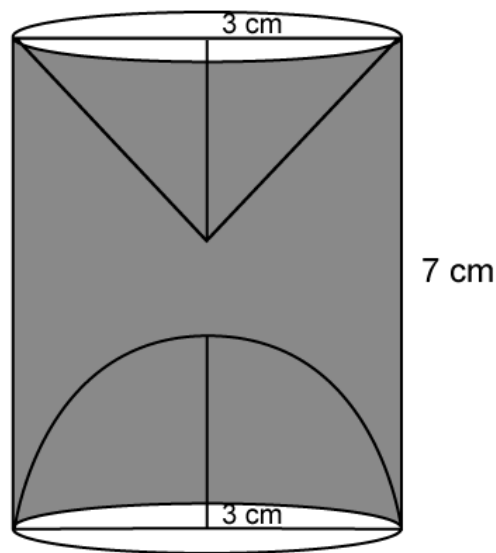
- (a) In the given figure $\angle PQR = \angle PST = 90^\circ$, $PQ = 5$ cm and $PS = 2$ cm. [3]
(i) Prove that $\triangle PQR = \triangle PST$
(ii) Find Area of $\triangle PQR$: Area of quadrilateral SRQT.



- (b) The first and last term of a Geometrical Progression (G.P.) are 3 and 96 respectively. If the common ratio is 2, find: [3]
- 'n' the number of terms of the G.P.
 - Sum of the n terms.

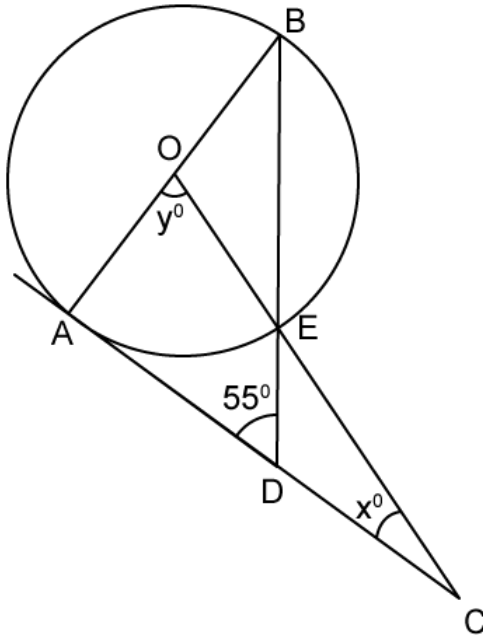
- (c) A hemispherical and a conical hole is scooped out of a solid wooden cylinder. Find the volume of the remaining solid where the measurements are as follows: The height of the solid cylinder is 7 cm, radius of each of hemisphere, cone and cylinder is 3 cm. Height of cone is 3 cm.

Give your answer correct to the nearest whole number Take $\pi = \frac{22}{7}$ [4]



Question 7

- (a) In the given figure AC is a tangent to the circle with centre O. If $\angle ADB = 55^\circ$, find x and y , Give reasons for your answer. [3]



- (b) The model of a building is constructed with scale factor 1 : 30. [3]
- If the height of the model is 80 cm, find the actual height of the building in meters.
 - If the actual volume of a tank at the top of the building is 27m^3 , find the volume of the tank on the top of the model.
- (c) Given $\begin{vmatrix} 4 & 2 \\ -1 & 1 \end{vmatrix} M = 6 I$, where M is a matrix and 1 is unit matrix of order 2×2 . [4]
- State the order of matrix M.
 - Find the matrix M.

Question 8

- (a) The sum of the first three terms of an Arithmetic Progression (A.P.) is 42 and the product of the first and third term is 52. Find the first term and the common difference. [3]
- (b) The vertices of a $\triangle ABC$ are $A(3, 8)$, $B(-1, 2)$ and $C(6, -6)$, Find: [3]
- Slope of BC.
 - Equation of a line perpendicular to BC and passing through A.

- (c) Using ruler and a compass only construct a semi-circle with diameter $BC = 7\text{cm}$. Locate a point A on the circumference of the semicircle such that A is equidistant from B and C . Complete the cyclic quadrilateral $ABCD$, such that D is equidistant from AB and BC . Measure $\angle ADC$ and write it down. [4]

Question 9

- (a) The data on the number of patients attending a hospital in a month are given below. [3]
Find the average (mean) number of patients attending the hospital in a month by using the shortcut method.
Take the assumed mean as 45. Give your answer correct to 2 decimal places.

Number of patients	10-20	20-30	30-40	40-50	50-60	60-70
Number of Days	5	2	7	9	2	5

- (b) Using properties of proportion solve for x , given. [3]

$$\frac{\sqrt{5x} + \sqrt{2x - 6}}{\sqrt{5x} - \sqrt{2x - 6}} = 4$$

- (c) Sachin invests ₹ 8500 in 10%, ₹ 100 shares at ₹ 170. He sells the shares when the price of each share rises by ₹ 30. He invests the proceeds in 12% ₹ 100 shares at ₹ 125, Find: [4]
(i) the sale proceeds
(ii) the number of ₹ 125 shares he buys.
(iii) the change in his annual income.

Question 10

- (a) Use graph paper for this question. The marks obtained by 120 students in an English test are given below. [6]

Marks	0-10	10-20	20-30	30-40	40-50	50-60	60-70	70-80	80-90	90-100
No. of students	5	9	16	22	26	18	11	6	4	3

Draw the ogive and hence, estimate:

- (i) the median marks.
(ii) the number of students who did not pass the test if the pass percentage was 50.
(iii) the upper quartile marks.
- (b) A man observes the angle of elevation of the top of the tower to be 45° . He walks towards it in a horizontal line through its base. On covering 20 m the angle of elevation changes to 60° . Find the height of the tower correct to 2 significant figures. [4]

Question 11

- (a) Using the Remainder Theorem find the remainders obtained when $x^3 + (kx + 8)x + k$ is divided by $x + 1$ and $x - 2$.
Hence find k if the sum of the two remainders is 1. [3]
- (b) The product of two consecutive natural numbers which are multiples of 3 is equal to 810. Find the two numbers. [3]
- (c) In the given figure, ABCDE is a pentagon inscribed in a circle such that AC is a diameter and side $BC \parallel AE$. If $\angle BAC = 50^\circ$, find giving reasons: [4]
 (i) $\angle ACB$
 (ii) $\angle EDC$
 (iii) $\angle BEC$
 Hence prove that BE is also a diameter

