

BT MRE - III - 08 - 046

B. Tech Degree III Semester Examination in Marine Engineering, December 2008

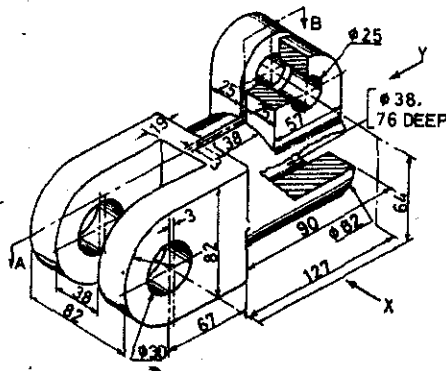
MRE 306 MACHINE DRAWING

Time : 3 Hours

Maximum Marks : 100

- I. The isometric view of a Rod Yoke is given in Figure . Draw to scale full size, the following views :
- (i) Sectional front elevation on section plan AB looking in the direction of arrow X
 - (ii) End elevation looking in the direction of arrow Y
 - (iii) Plan.

(20)



OR

- II. A rectangular port of width 10 mm and height 20 mm is drilled radially in a solid cylinder of diameter 40 mm and height 60 mm resting on ground. Draw the plan, elevation and sectional end view.

(20)

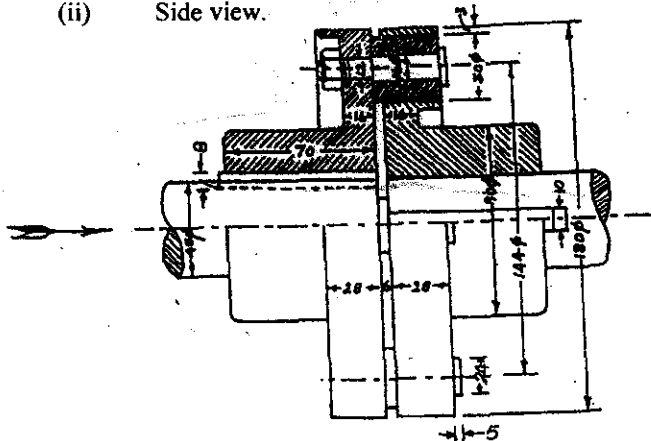
- III. (a) Sketch the various locking arrangements of nuts.
(b) Sketch the following foundation bolts:
(i) Detachable types
(ii) Square head and plate type foundation bolt.

(30)

OR

- IV. Figure shows the elevation with top half section of a pin type flexible coupling used with a motor for a shaft of 45 mm diameter. Draw the following views :
(i) Sectional elevation, left half in section
(ii) Side view.

(30)



(Turn Over)

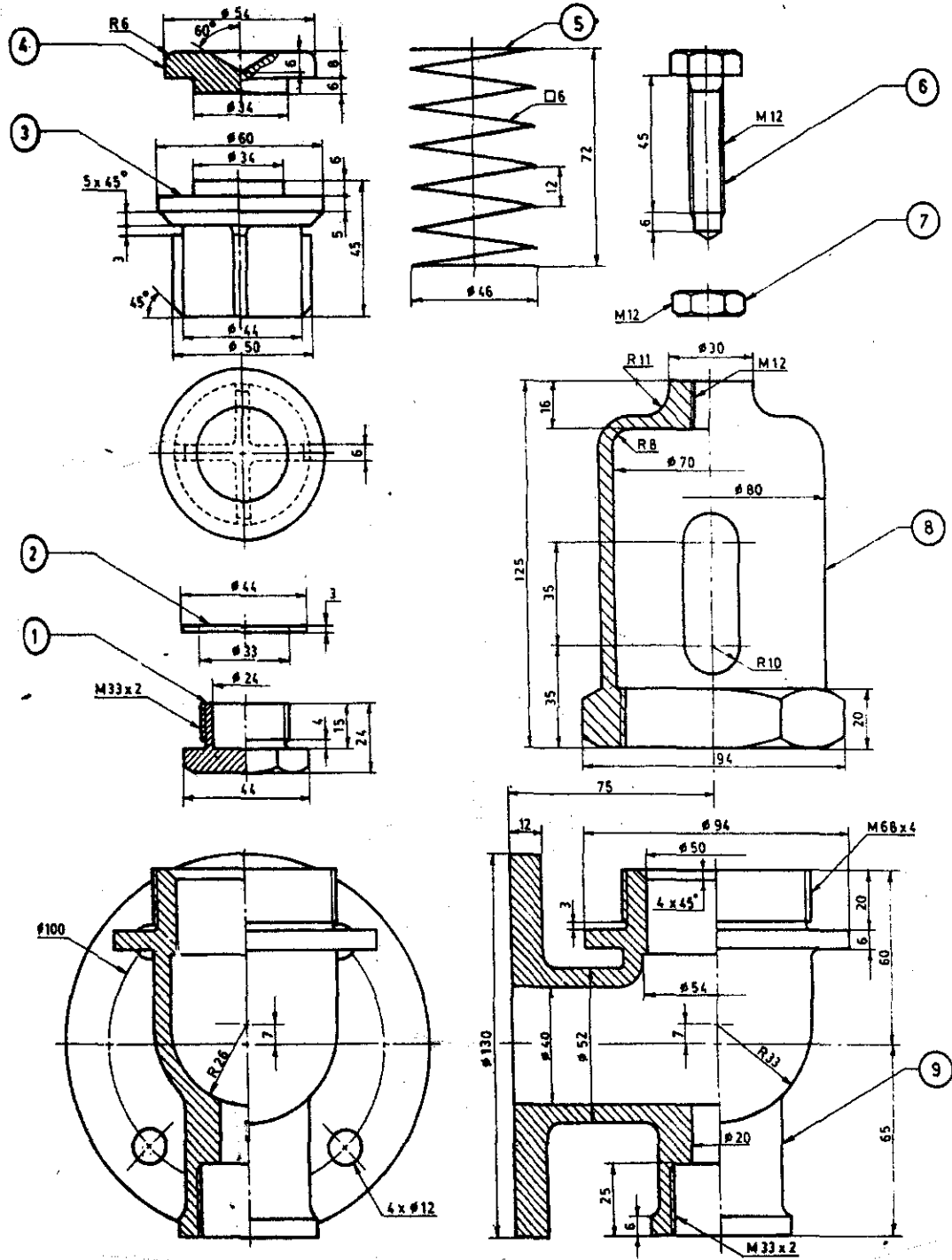
V.

Figure shows details of a cylinder relief valve. Draw full size assembly drawing comprising :

(i) A left half sectional elevation

(ii) Plan.

(50)



OR

(Contd.....3)

VI. Draw the assembled view of a lever safety valve given in Figure giving elevation with left half section and full plan. (50)

