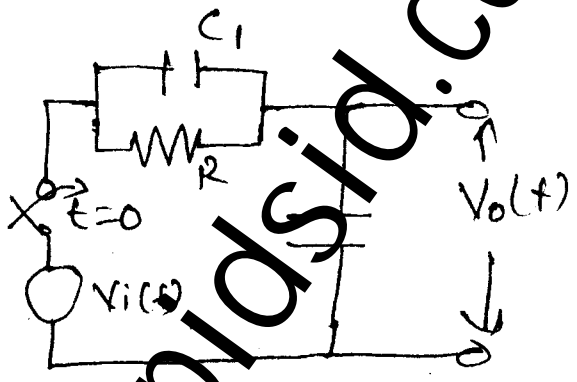


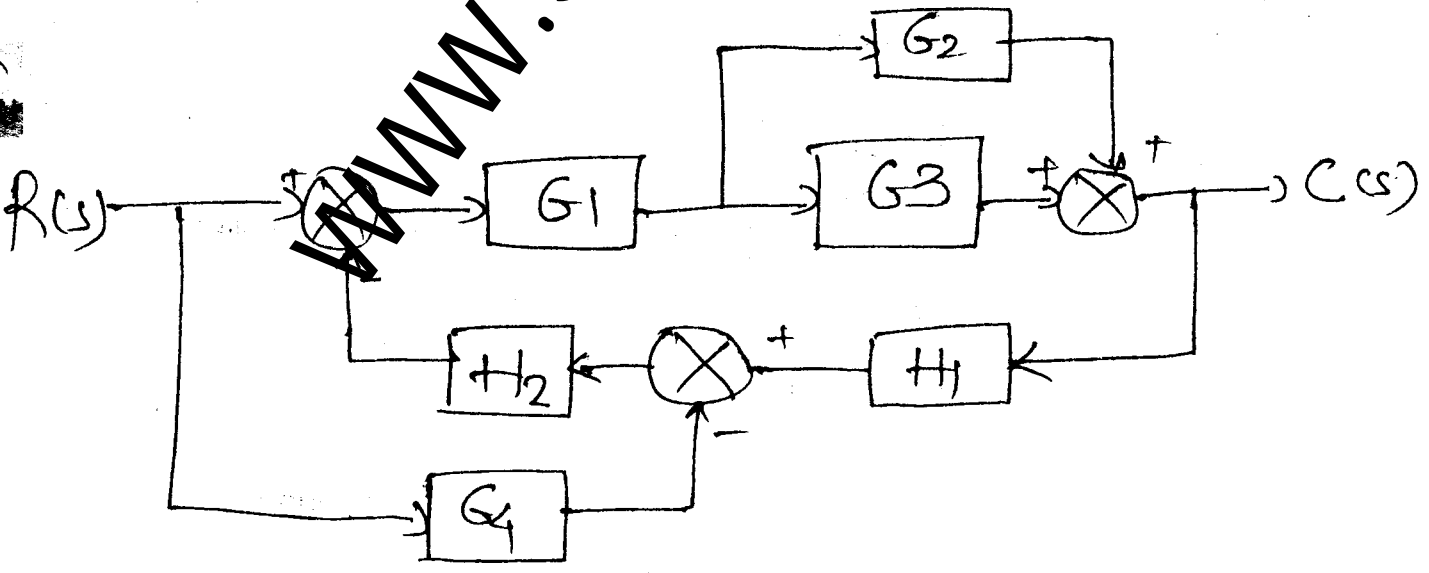
- N.B.** (1) Question No. 1 is **compulsory**.  
 (2) Answer any **four** out of remaining **six** questions.  
 (3) **Figures** to the **right** indicate **full marks**.  
 (4) Illustrate answers with **sketches** wherever **required**.

1. (a) Define sensitivity. How can we reduce the sensitivity of closed loop system ? 20  
 (b) State the properties of Transfer function.  
 (c) Explain Hurwitz Stability Criterion. What are the Disadvantages ?  
 (d) What are the advantages of Bode Plot ?
2. (a) Determine the value of  $V_o(t)$  if — 10

$C_2 = 5C_1$   
 $V_i(t) = 40 \cdot e^{-20t}$   
 $C_1 = 0.5 \text{ uf}$   
 $R = 100 \text{ m}\Omega$

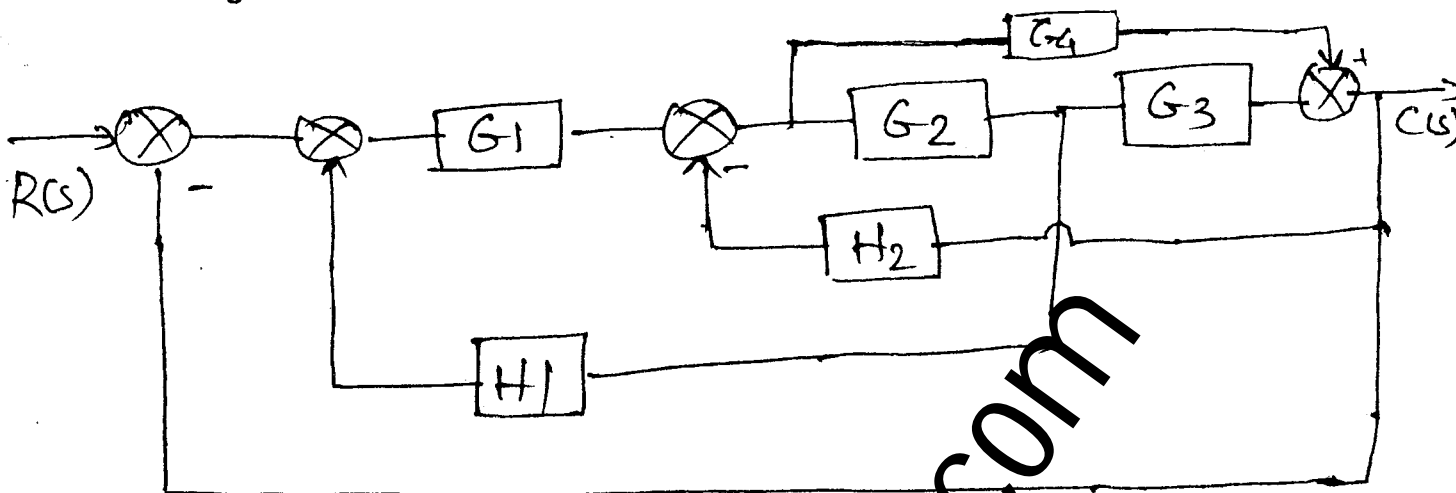


- (b) Explain the effect of an additional zero and additional pole to the standard second order system. 10
3. (a) Consider the following block diagram shown in **figure** below. Draw its equivalent signal flow graph and find  $C(s)/R(s)$  using Mason's gain formula. 10



- (b) Derive the transfer function of armature controlled dc servomotor and obtain the resulting block diagram. 10

4. (a) Using block diagram reduction rule, obtain the transfer function of the system shown in figure below :— 10



- (b) The open loop transfer function of a feedback system is —

$$G(s)H(s) = \frac{K}{s(s+4)(s^2+4s+20)}$$

Draw complete root locus. Determine value of K for stability. Determine oscillation frequencies.

5. (a) Determine the value of K for unity feedback control system having — 10

$$G(s)H(s) = \frac{K}{s(s+2)(s+4)}$$

(i) Phase margin =  $60^\circ$

(ii) Gain margin = 20 dB

- (b) Derive and analyse the response of a second order system to a unit step. With the help of graphical plots explain the significance of damping ratio for its various values. 10

6. (a) The output of a control system is related to its input by — 12

$$(s^4 + 2s^3 + 2s^2 + (3 - K)s + K)C(s) = K(s + 1)R(s)$$

Where K represents the positive gain of an amplifier.

(i) With  $K = 6$  and a step input will the output response be stable ?

(ii) Determine the limiting value that K can have for a stable output response.

- (b) Obtain the Transfer function of field controlled D.C. Motor. Draw block diagram. 8

7. Write short notes on any two of the following :— 20

(a) A. C. Servomotors

(b) Tachogenerators

(c) Error compensation methods and their effects on system performance.